

2.GREE2000 Series

2.1 Summary.



figure 2-1

MODEL

NOTE

KF-20GW/J(2035M)	KFR-20GW/J(2045M)	CE STANDARD
KF-25GW/J(2535M)	KFR-25GW/J(2545M)	1Ph 220-230V~50Hz
KF-35GW/J(3535M)	KFR-35GW/J(3545M)	R22
KF-45GW/J(4535M)	KFR-45GW/J(4545M)	LED OR LCD DISPLAY
GSW18-22L/A	GSW18-22R/A	1Ph 220V~60Hz
		R22
		LED DISPLAY ONLY



figure 2-2

MODEL	NOTE
KF-45GW/JN(4535M) KFR-45GW/JN(4545M)	CE STANDARD 1Ph 220-230V~50Hz R407C LCD DISPLAY
KT3F-45GW/J1-12205 KT3FR-45GW/J1-12205	TROPICAL AIR-CONDITIONER 1Ph 220V~50Hz R22 LCD DISPLAY
KT3F-45GW/J1 KT3FR-45GW/J1	TROPICAL AIR-CONDITIONER 1Ph 220V~60Hz R22 LCD DISPLAY

GREE2000 Series

2.2 Technical specifications.

Table 2-1

Model		KF-20GW/J (2035M)	KFR-20GW/J(2045M)	
Function		Cooling	Cooling	Heating
Power supply		1Ph 220-230V~50Hz		
Capacity	W	2000	2000	2300
	(BTU/h)	6826	6826	
Rated input(W)		760	760	
Rated current(A)		3.3		
Air flow(m ³ /h)		420		
Dehumidifying volume(L/h)		0.8		
EER(W/W)		3.0		
Indoor unit	Model	KF-20G/(2035M)	KFR-20G/(2045M)	
	Motor fan speed(rpm)	850/800/750		
	Output power(W)	8		
	Fan type/piece	Cross flow fan-1		
	Diameter-length(mm)	φ 91mm-616		
	Evaporator	Aluminum fin-copper tube		
	Row-fin distance(mm)	2-1.5		
	Working area(m ²)	0.18		
	Swing motor	MP24GA		
	Input power(W)	2		
	Fuse(A)	Controller 3.15A Transformer 0.2A		
	Working capacitor(μF)	1		
	Noise(dB(A))	≤ 34		
	Dimension(width-height-depth)(mm)	830 × 285 × 189		
Net weight(kg)	11			
Outdoor unit	Model	KF-20W/J	KFR-20W/J	
	Input power(W)	729	729/789	
	Current(A)	3.06	3.06/3.16	
	L.R.A.(A)	15		
	Throttling method	Capillary		
	Compressor	SG333DB1	SG433EB2	
	Starting method	Capacitor starting		
	Working temp.	≤ 115℃		
	Condenser	Aluminum fin-copper tube		
	Pipe-diameter	9.52		
	Row-fin distance(mm)	2-1.4		
	Working area(m ²)	0.65		
	Fan motor power(w)/speed(rpm)	38/720		
	Type-piece	Axial fan-1		
	Diameter(mm)	400		
	Defrosting method	Auto defrost		
	Noise (dB(A))	52		
	Dimension(width-height-depth)(mm)	848-540-320		
	Net weight(kg)	32		
Refrigerant charge (kg)	R22/0.7kg	R22/0.8kg		
Connecting pipe	Length (m)	4		
	Outer diameter of connecting pipe	Liquid pipe(mm)	6(1/4")	
		Gas pipe(mm)	9.52(3/8")	
	Max distance	Height(m)	5	
		Length(m)	10	

The technical data are subject to change without notice. Please refer to the nameplate of the unit.

GREE2000 Series

Table 2-2

Model		KF-25GW/J (2535M)	KFR-25GW/J(2545M)	
Function		Cooling	Cooling	Heating
Power supply		1Ph 220-230V~50Hz		
Capacity	W	2500	2500	2800
	(BTU/h)	8534	8534	9500
Rated input(W)		920	920	950
Rated current(A)		4.4	4.4	4.5
Air flow(m ³ /h)		420		
Dehumidifying volume(L/h)		1.2	1.2	/
EER(W/W)		2.8	2.8	3.1
Indoor unit	Model	KF-25G/(2535M)	KFR-25G/(2545M)	
	Motor fan speed(rpm)	900/850/800		
	Output power(W)	8		
	Fan type/piece	Cross flow fan-1		
	Diameter-length(mm)	φ 91mm-616		
	Evaporator	Aluminum fin-copper tube		
	Row-fin distance(mm)	2-1.5		
	Working area(m ²)	0.18		
	Swing motor	FN8E-PG		
	Input power(W)	2		
	Fuse(A)	Controller 3.15A Transformer 0.2A		
	Working capacitor(μF)	1		
	Noise(dB(A))	≤ 34		
	Dimension(width-height-depth)(mm)	830 × 285 × 189		
	Net weight(kg)	11		
Outdoor unit	Model	KF-25W/J	KFR-25W/J	
	Input power(W)	919	919/949	
	Current(A)	4.26	4.26/4.36	
	L.R.A.(A)	21		
	Throttling method	Capillary		
	Compressor	RH165VHAC	RH174VHAC	
	Starting method	Capacitor starting		
	Working temp.	≤ 115℃		
	Condenser	Aluminum fin-copper tube		
	Pipe-diameter	9.52		
	Row-fin distance(mm)	2-2.0		
	Working area(m ²)	0.65		
	Fan motor power(w)/speed(rpm)	38/720		
	Type-piece	Axial fan-1		
	Diameter(mm)	400		
	Defrosting method	Auto defrost		
	Noise (dB(A))	56		
	Dimension(width-height-depth)(mm)	848-540-320		
	Net weight(kg)	32		
Refrigerant charge (kg)	R22/0.7kg	R22/0.9kg		
Connecting pipe	Length (m)		4	
	Outer diameter of connecting pipe	Liquid pipe(mm)	6(1/4")	
		Gas pipe(mm)	9.52(3/8")	
	Max distance	Height(m)	5	
Length(m)		10		

The technical data are subject to change without notice .Please refer to the nameplate of the unit.

GREE2000 Series

Table 2-3

Model		KF-35GW/J (3535M)	KFR-35GW/J(3545M)	
Function		Cooling	Cooling	Heating
Power supply		1Ph 220-230V~50Hz		
Capacity	W	3500	3500	3800
	(BTU/h)	11945	11945	12975
Rated input(W)		1300	1300	1300
Rated current(A)		6.0	6.0	6.0
Air flow(m ³ /h)		500		
Dehumidifying volume(L/h)		1.6	1.6	/
EER(W/W)		2.7	2.7	3.0
Indoor unit	Model	KF-35G/(3535M)	KFR-35G/(3545M)	
	Motor fan speed(rpm)	1050/1000/950		
	Output power(W)	8		
	Fan type/piece	Cross flow fan-1		
	Diameter-length(mm)	φ 91mm-616		
	Evaporator	Aluminum fin-copper tube		
	Row-fin distance(mm)	2-1.5		
	Working area(m ²)	0.18		
	Swing motor	MP24GA		
	Input power(W)	2		
	Fuse(A)	Controller 3.15A Transformer 0.2A		
	Working capacitor(μF)	1		
	Noise(dB(A))	≤ 36		
	Dimension(width-height-depth)(mm)	830 × 285 × 189		
	Net weight(kg)	11		
Outdoor unit	Model	KF-35W/J	KFR-35W/J	
	Input power(W)	1249	1249	
	Current(A)	5.7	5.7	
	L.R.A.(A)	31		
	Throttling method	Capillary		
	Compressor	C-RV222H1AA	C-R110H5H	
	Starting method	Capacitor starting		
	Working temp.	≤ 115℃		
	Condenser	Aluminum fin-copper tube		
	Pipe-diameter	9.52		
	Row-fin distance(mm)	2-1.4		
	Working area(m ²)	0.65		
	Fan motor power(w)/speed(rpm)	38/720		
	Type-piece	Axial fan-1		
	Diameter(mm)	400		
	Defrosting method	Auto defrost		
	Noise (dB(A))	56		
	Dimension(width-height-depth)(mm)	848-540-320		
	Net weight(kg)	40		
	Refrigerant charge (kg)	R22/1.2kg	R22/1.3kg	
Connecting pipe	Length (m)		4	
	Outer diameter of connecting pipe	Liquid pipe(mm)	6(1/4")	
		Gas pipe(mm)	12(1/2")	
	Max distance	Height(m)	5	
		Length(m)	10	

The technical data are subject to change without notice .Please refer to the nameplate of the unit.

GREE2000 Series

Table 2-4

Model		KF-45GW/J (4535M)	KFR-45GW/J1(4545M)	
Function		Cooling	Cooling	Heating
Power supply		1Ph 220-230V~50Hz		
Capacity	W	4500	4500	4900
	(BTU/h)	15500	15500	16500
Rated input(W)		1700	1700	1750
Rated current(A)		7.73	7.73	7.73
Air flow(m ³ /h)		650		
Dehumidifying volume(L/h)		2.0	2.0	---
EER(W/W)		2.6	2.6	2.7
Indoor unit	Model	KF-45G/(4535M)	KFR-45G/(4545M)	
	Motor fan speed(rpm)	1250/1150/1050		
	Output power(W)	20		
	Fan type/piece	Cross flow fan-1		
	Diameter-length(mm)	φ 91mm-616		
	Evaporator	Aluminum fin-copper tube		
	Row-fin distance(mm)	2-1.4		
	Working area(m ²)	0.18		
	Swing motor	MP24GA		
	Input power(W)	2		
	Fuse(A)	Controller 3.15A Transformer 0.2A		
	Working capacitor(μF)	1		
	Noise(dB(A))	≤ 46		
	Dimension(width-height-depth)(mm)	830 × 285 × 189		
	Net weight(kg)	11		
Outdoor unit	Model	KF-45W/J	KFR-45W/J	
	Input power(W)	1669	1669/1700	
	Current(A)	7.6	7.6/7.7	
	L.R.A.(A)	35		
	Throttling method	Capillary		
	Compressor	PH290 × 2C-4FT1	PH290 × 2C-4FT1	
	Starting method	Capacitor starting		
	Working temp.	≤ 115℃		
	Condenser	Aluminum fin-copper tube		
	Pipe-diameter	9.52		
	Row-fin distance(mm)	2-1.4		
	Working area(m ²)	0.4		
	Fan motor power(w)/speed(rpm)	36/880		
	Type-piece	Axial fan-1		
	Diameter(mm)	400		
	Defrosting method	Auto defrost		
	Noise (dB(A))	57		
	Dimension(width-height-depth)(mm)	848-540-320		
	Net weight(kg)	40		
Refrigerant charge (kg)	R22/1.3kg	R22/1.3kg		
Connecting pipe	Length (m)		4	
	Outer diameter of connecting pipe	Liquid pipe(mm)	6(1/4")	
		Gas pipe(mm)	12(1/2")	
	Max distance	Height(m)	5	
Length(m)		10		

The technical data are subject to change without notice .Please refer to the nameplate of the unit.

GREE2000 Series

Table 2-5

Model		GSW18-22L/A	GSW18-22R/A	
Function		Cooling	Cooling	Heating
Power supply		1Ph 220V 60Hz		
Capacity	W	4500	4500	4900
	(BTU/h)	15500	15500	16500
Rated input(W)		1700	1700	1750
Rated current(A)		7.73	7.73	7.73
Air flow(m ³ /h)		650		
Dehumidifying volume(L/h)		2.0	2.0	---
EER(W/W)		2.6	2.6	2.7
Indoor unit	Model	GSW18-22L/A(I)	GSW18-22R/A(I)	
	Motor fan speed(rpm)	1250/1150/1050		
	Output power(W)	20		
	Fan type/piece	Cross flow fan-1		
	Diameter-length(mm)	φ 91mm-616		
	Evaporator	Aluminum fin-copper tube		
	Row-fin distance(mm)	2-1.4		
	Working area(m ²)	0.18		
	Swing motor	MP24GA		
	Input power(W)	2		
	Fuse(A)	Controllor 3.15A Transformer 0.2A		
	Working capacitor(μF)	1		
	Noise(dB(A))	≤ 44		
	Dimension(width-height-depth)(mm)	830 × 285 × 189		
	Net weight(kg)	11		
Outdoor unit	Model	GSW18-22L/A(O)	GSW18-22R/A(O)	
	Input power(W)	1669	1669/1700	
	Current(A)	7.6	7.6/7.7	
	L.R.A.(A)	35		
	Throttling method	Capillary		
	Compressor	2K25S236AHA	2K25S236AHA	
	Starting method	Capacitor starting		
	Working temp.	≤ 115℃		
	Condenser	Aluminum fin-copper tube		
	Pipe-diameter	9.52		
	Row-fin distance(mm)	2-1.6		
	Working area(m ²)	0.4		
	Fan motor power(w)/speed(rpm)	48/880		
	Type-piece	Axial fan-1		
	Diameter(mm)	400		
	Defrosting method	Auto defrost		
	Noise dB(A)	<57		
	Dimension(width-height-depth)(mm)	848-540-320		
	Net weight(kg)	40		
Refrigerant charge (kg)	R22/1.2	R22/1.2		
Connecting pipe	Length (m)		4	
	Outer diameter of connecting pipe	Liquid pipe(mm)	6(1/4")	
		Gas pipe(mm)	12(1/2")	
	Max distance	Height(m)	5	
Length(m)		10		

The technical data are subject to change without notice .Please refer to the nameplate of the unit.

GREE2000 Series

Table 2-6

Model		KF-45GW/JN (4535M)	KFR-45GW/JW(4545M)	
Function		Cooling	Cooling	Heating
Power supply		1Ph 220-230V~50Hz		
Capacity	(W)	4500	4500	5200
Rated input(W)		1880	1880	1980
Rated current(A)		9.2	9.2	9.3
Air flow(m ³ /h)		650		
Dehumidifying volume(L/h)		2.0	2.0	---
EER(W/W)		2.14	2.14	2.17
Indoor unit	Model	KFR-45G/(4535M)N	KFR-45G/(4545M)N	
	Motor fan speed(rpm)	1250/1150/1050		
	Output power(W)	20		
	Fan type/piece	Cross flow fan-1		
	Diameter-length(mm)	φ 91mm-616		
	Evaporator	Aluminum fin-copper tube		
	Row-fin distance(mm)	2-1.4		
	Working area(m ²)	0.18		
	Swing motor	MP24GA		
	Input power(W)	2		
	Fuse(A)	Controller 3.15A Transformer 0.2A		
	Working capacitor(μF)	1		
	Noise(dB(A))	≤ 46		
	Dimension(width-height-depth)mm	830 × 285 × 189		
Net weight(kg)	11			
Outdoor unit	Model	KF-45W/JN	KFR-45W/JN	
	Input power(W)	1830	1830/1930	
	Current(A)	8.3	8.3/8.7	
	L.R.A.(A)	35		
	Throttling method	Capillary		
	Compressor	SANYOC-2RN150H5V	SANYO C-2RN150H5V	
	Starting method	Capacitor starting		
	Working temp.	≤ 115℃		
	Condenser	Aluminum fin-copper tube		
	Pipe-diameter	9.52		
	Row-fin distance(mm)	2-1.7		
	Working area(m ²)	0.4		
	Fan motor power(w)/speed(rpm)	60/780		
	Type-piece	Axial fan-1		
	Diameter(mm)	460		
	Defrosting method	Auto defrost		
	Noise dB(A)	<58		
	Dimension(mm)(width-height-depth)	950 × 710 × 410		
Net weight(kg)	59			
Refrigerant charge (kg)	R407C/1.5kg	R407C/1.5kg		
Connecting pipe	Length(m)		4	
	Outer diameter of connecting pipe	Liquid pipe(mm)	6(1/4")	
		Gas pipe(mm)	12(1/2")	
	Max distance	Height(m)	5	
Length(m)		10		

The technical data are subject to change without notice .Please refer to the nameplate of the unit.

GREE2000 Series

Table 2-7

Model		KT3F-45GW/J1	KT3FR-45GW/J1	
Function		Cooling	Cooling	Heating
Power supply		1Ph 220V 50Hz		
Capacity	(W)	4500	4500	5100
Rated input(W)		2000	2000	2300
Rated current(A)		9.5	9.5	11.0
Air flow(m ³ /h)		650		
Dehumidifying volume(L/h)		2.0	2.0	---
EER(W/W)		2.25	2.25	2.22
Indoor unit	Model	KT3F-45G/J1	KT3FR-45G/J1	
	Motor fan speed(r/min)	1350/1250/1150		
	Output power(W)	34		
	Fan type/piece	Cross flow fan-1		
	Diameter-length(mm)	φ 91mm-616		
	Evaporator	Aluminum fin-copper tube		
	Row-fin distance(mm)	2-1.5		
	Working area(m ²)	0.18		
	Swing motor	MP24GA		
	Input power(W)	2		
	Fuse(A)	Controller 3.15A Transformer 0.2A		
	Working capacitor(μF)	1		
	Noise(dB(A))	≤ 44		
	Dimension(width-height-depth)mm	830 × 285 × 189		
	Net weight(kg)	11		
Outdoor unit	Model	KT3F-45W/J1	KT3FR-45W/J1	
	Input power(W)	1950	1950/2250	
	Current(A)	8.9	8.9/10.2	
	L.R.A.(A)	35		
	Throttling method	Capillary		
	Compressor	C118KQ-PFV-240 FW COPLAND	C118KQ-PFV-240FW COPLAND	
	Starting method	Capacitor starting		
	Working temp.	≤ 115℃		
	Condenser	Aluminum fin-copper tube		
	Pipe-diameter	9.52		
	Row-fin distance(mm)	2-1.7		
	Working area(m ²)	0.4		
	Fan motor power(w)/speed(rpm)	60/780		
	Type-piece	Axial fan-1		
	Diameter(mm)	460		
	Defrosting method	Auto defrost		
	Noise dB(A)	<58		
	Dimension(mm)(width-height-depth)	950 × 710 × 410		
Net weight(kg)	59			
Refrigerant charge (kg)	R22/1.4kg	R22/1.4kg		
Connecting pipe	Length	4		
	Outer diameter of connecting pipe	Liquid pipe(mm)	6(1/4")	
		Gas pipe(mm)	12(1/2")	
	Max distance	Height(m)	5	
		Length(m)	10	

The technical data are subject to change without notice .Please refer to the nameplate of the unit.

GREE2000 Series

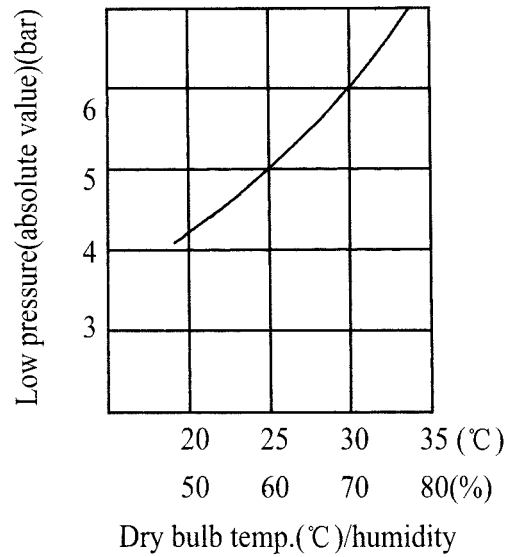
Table 2-8

Model			KT3F-45GW/J1	KT3FR-45GW/J1	
Function			Cooling	Cooling	Heating
Power supply			1Ph 220V~60Hz		
Capacity	(W)		4500	4500	5200
Rated input(W)			2100	2100	2400
Rated current(A)			9.5	9.5	11.0
Air flow(m ³ /h)			650		
Dehumidifying volume(L/h)			2.0	2.0	---
EER(W/W)			2.14	2.14	2.17
Indoor unit	Model		KT3F-45G/J1-12205	KT3FR-45G/J1-12205	
	Motor fan speed(r/min)		1350/1250/1150		
	Output power(W)		34		
	Fan type/piece		Cross flow fan-1		
	Diameter-length(mm)		φ 91mm-616		
	Evaporator		Aluminum fin-copper tube		
	Row-fin distance(mm)		2-1.5		
	Working area(m ²)		0.18		
	Swing motor		MP24GA		
	Input power(W)		2		
	Fuse(A)		Controller 3.15A Transformer 0.2A		
	Working capacitor(μF)		1		
	Noise(dB(A))		≤ 46		
	Dimension(width-height-depth)mm		830 × 285 × 189		
Net weight(kg)		11			
Outdoor unit	Model		KT3F-45W/J1-12205	KT3FR-45W/J1-12205	
	Input power(W)		1950	1950/2250	
	Current(A)		8.9	8.9/10.2	
	L.R.A.(A)		35		
	Throttling method		Capillary		
	Compressor		COPELAND C124KQ-PEZ-240CY	COPELAND C124KQ-PEZ-240CY	
	Starting method		Capacitor starting		
	Working temp.		≤ 115℃		
	Condenser		Aluminum fin-copper tube		
	Pipe-diameter		9.52		
	Row-fin distance(mm)		2-1.7		
	Working area(m ²)		0.4		
	Fan motor power(w)/speed(rpm)		60/780		
	Type-piece		Axial fan-1		
	Diameter(mm)		460		
	Defrosting method		Auto defrost		
	Noise dB(A)		<58		
	Dimension(mm)(width-height-depth)		950 × 710 × 410		
Net weight(kg)		59			
Refrigerant charge (kg)		R22/1.5kg	R22/1.5kg		
Connecting pipe	Length		4		
	Outer diameter of connecting pipe	Liquid pipe(mm)	6(1/4")		
		Gas pipe(mm)	12(1/2")		
	Max distance	Height(m)	5		
Length(m)		10			

The technical data are subject to change without notice .Please refer to the nameplate of the unit.

2.3 Performance curve

1.Cooling operation:In testing, Indoor unit and outdoor unit have the same work condition.



2.Heating operation

Indoor operation condition: Dry bulb temp 21 °C, Wet bulb temp. 15.5 °C.

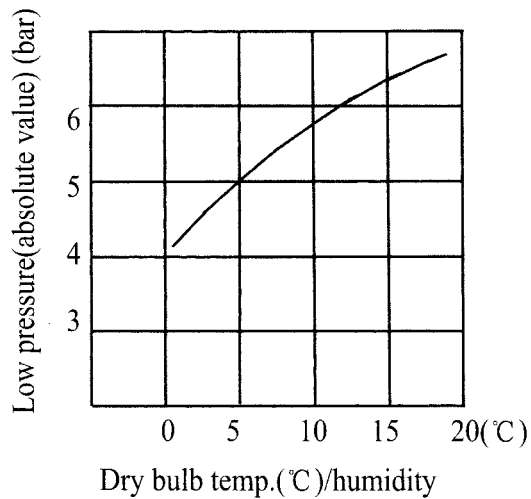
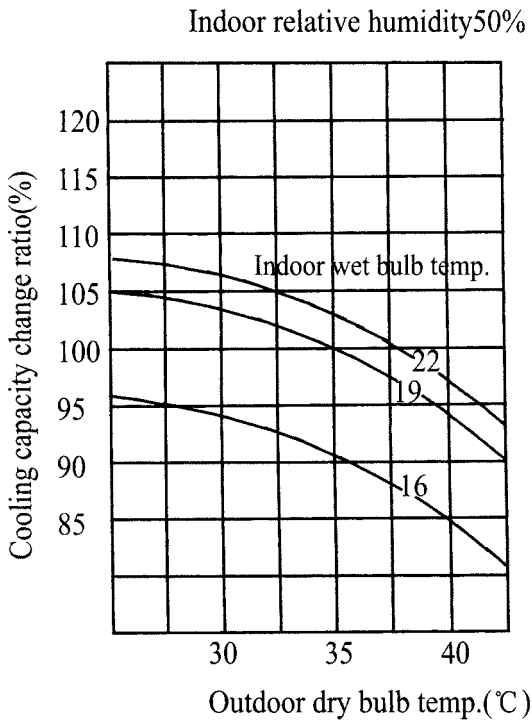
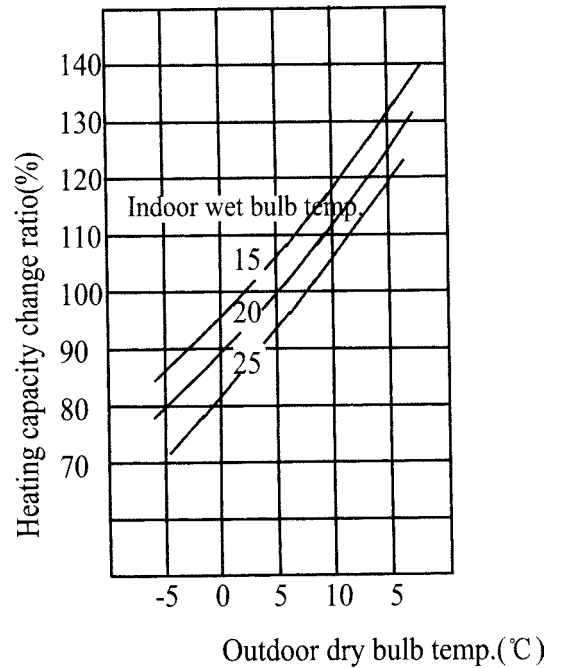


figure 2-3

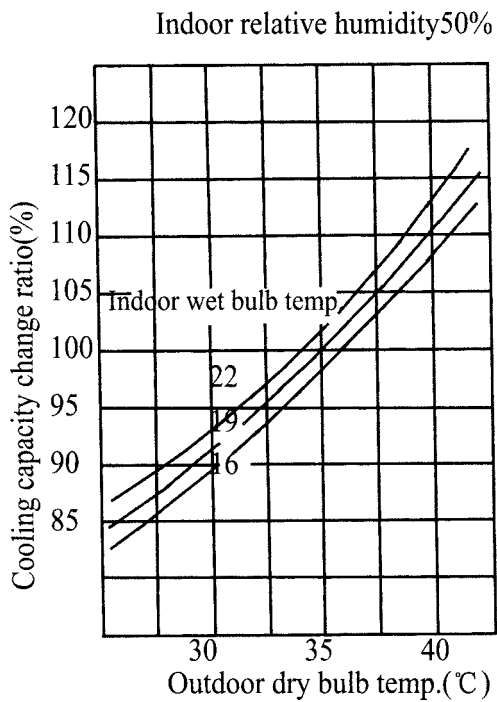
Cooling performance



Heating performance (not include electric heater)
Outdoor relative humidity 50%



Cooling performance



Heating performance (not include electric heater)
Outdoor relative humidity 50%

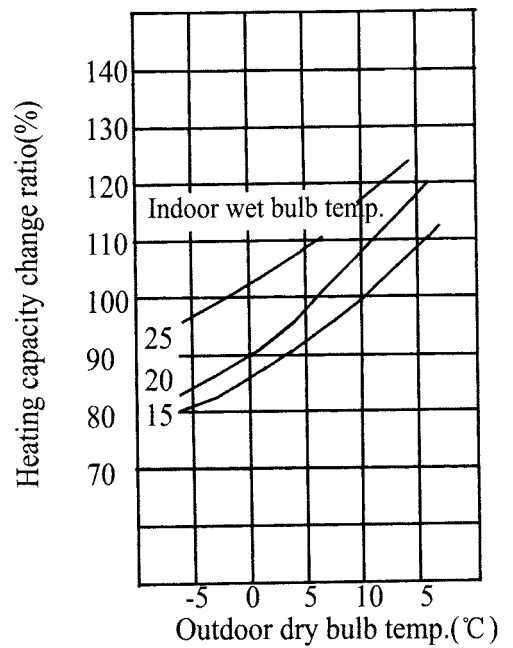
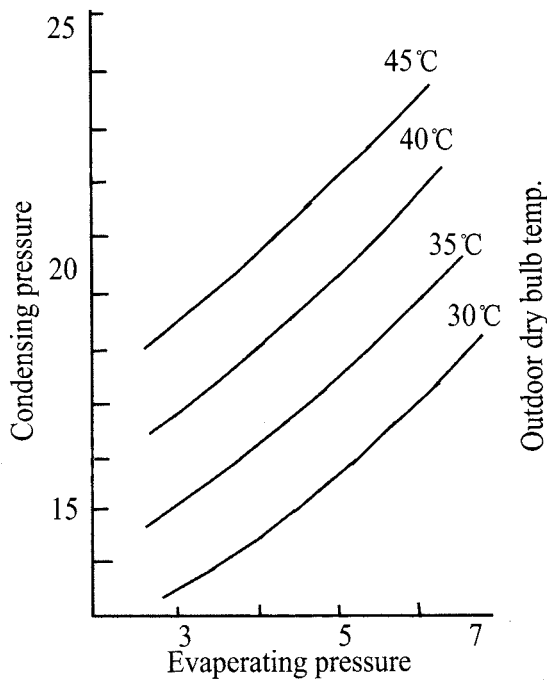
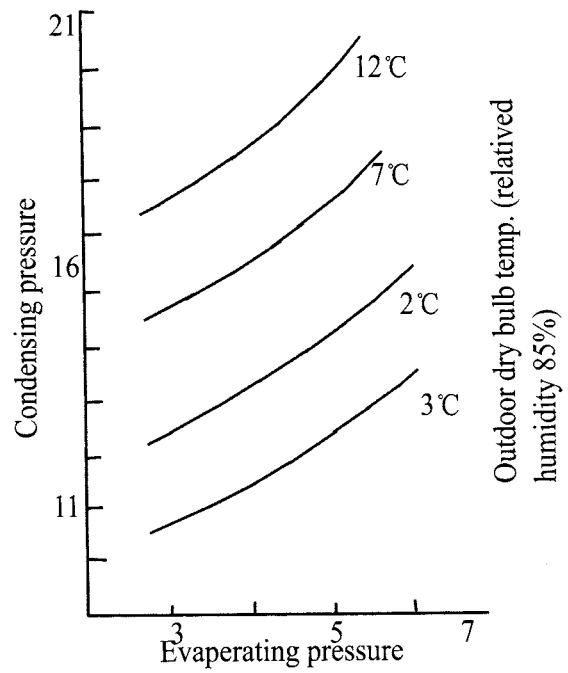


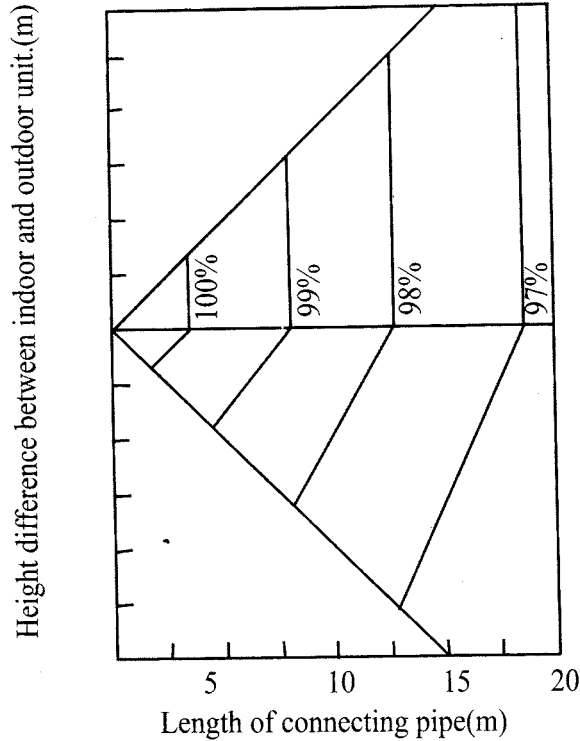
figure 2-4



The changing relation between pressure and temp. in cooling work condition (Indoor work condition: Dry bulb 27°C, Wet bulb 19°C)



The changing relation between pressure and temp. in heating work condition (Indoor work condition: Dry bulb 20°C)



The changing relation between cooling capacity and length of connecting pipe.

figure 2-5

2.4 Outlines and dimensions of indoor unit

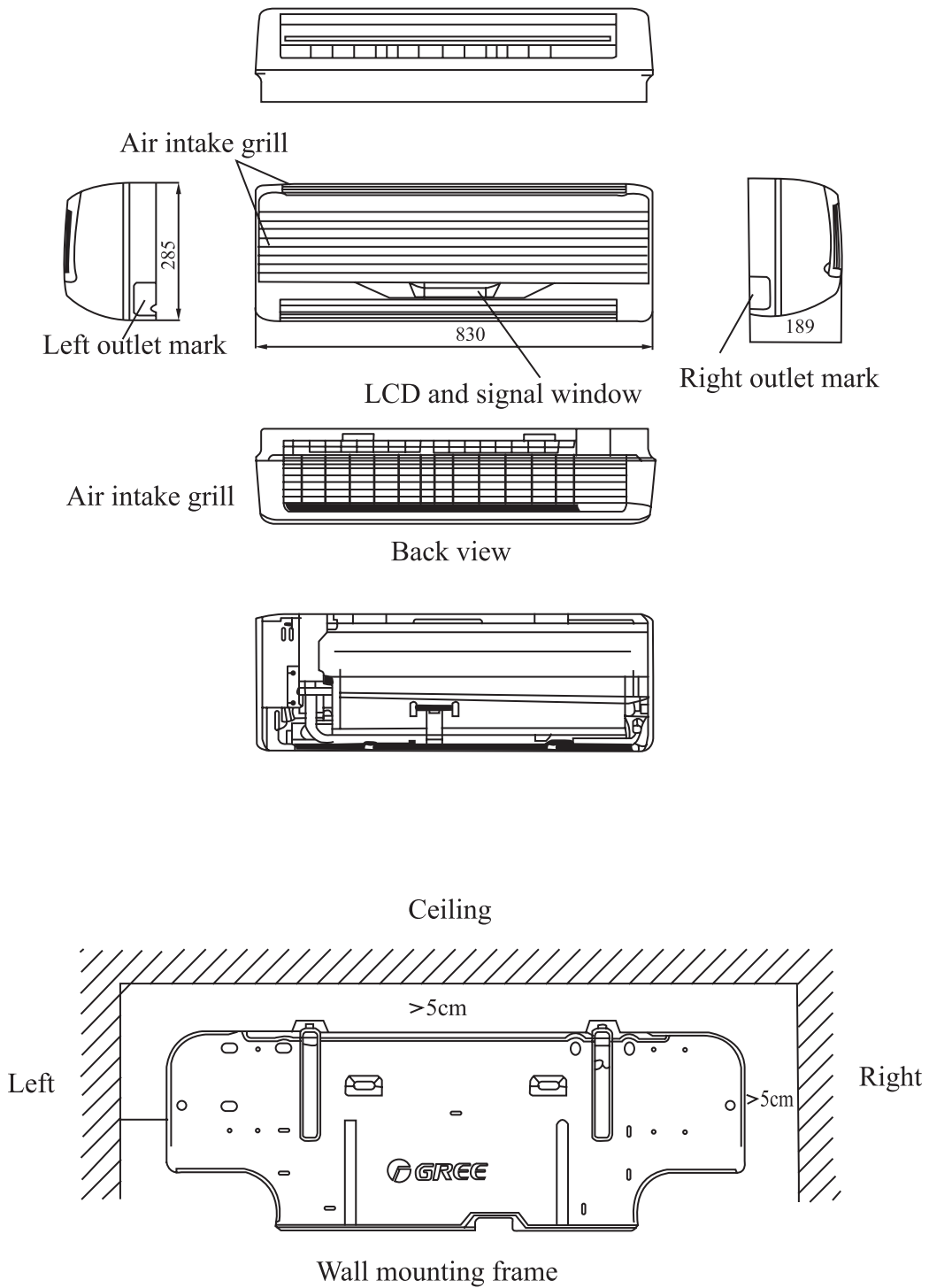


figure 2-6

2.5 Outlines and dimensions of outdoor unit

2.5.1 For CE Standard model.

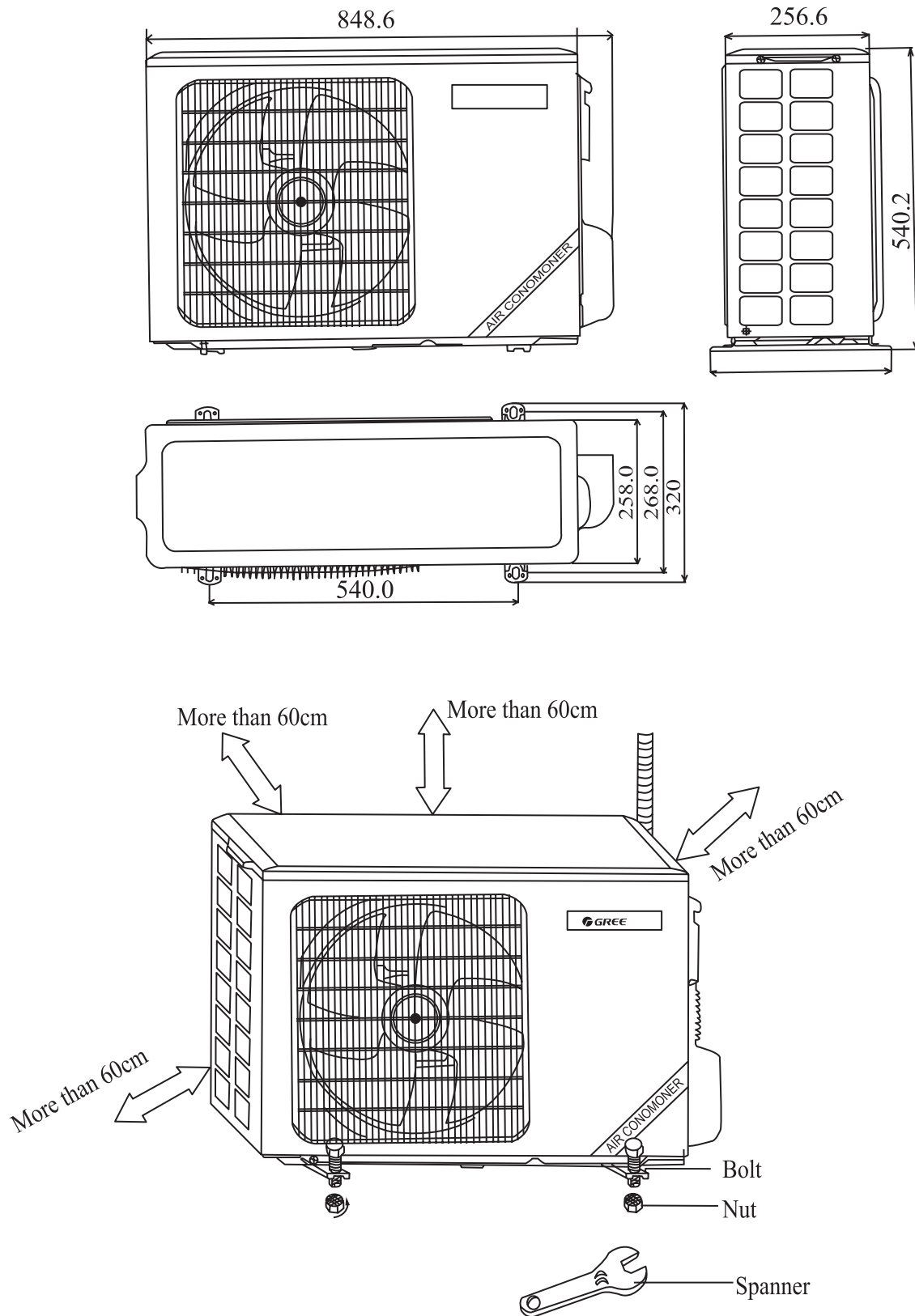


figure 2-7

2.5 Outlines and dimensions of outdoor unit

2.5.2 For R407C and tropical model.

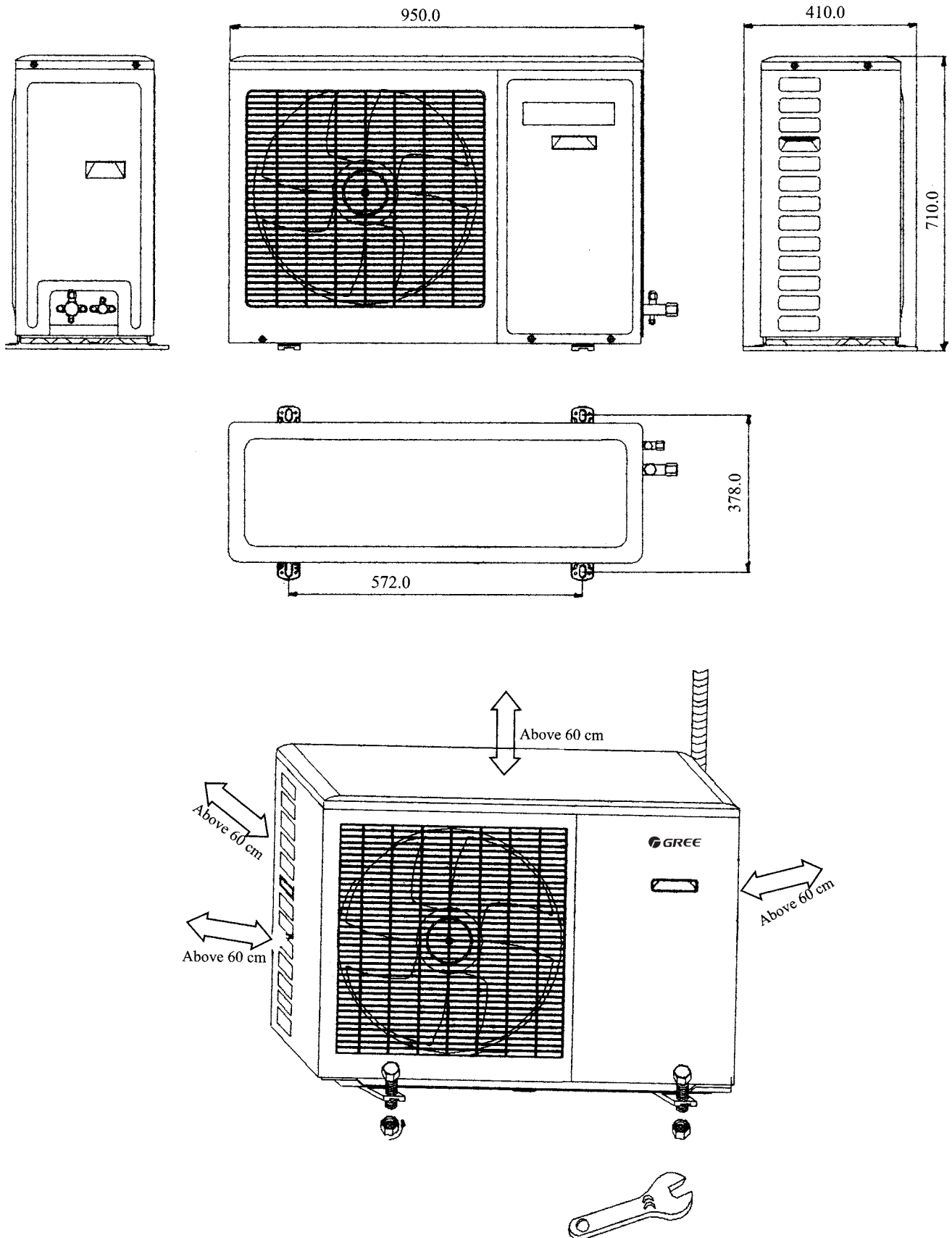


figure 2-8

2.6 Explosive view for indoor unit

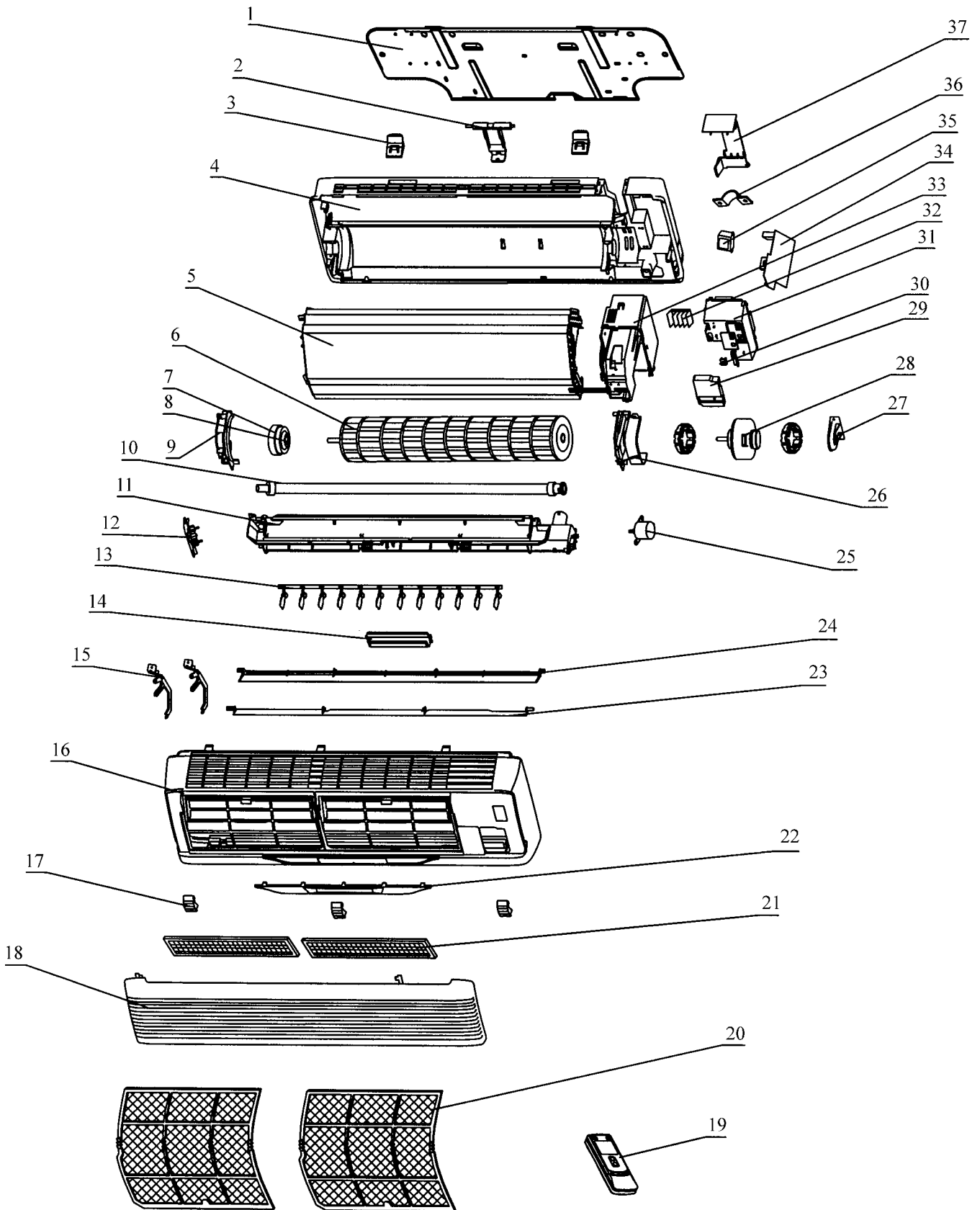


figure 2-9

GREE2000 Series

2.7 Spare parts list of indoor unit

Table 2-9

No.	Description		Part No						Qty
			KF-20G/J (2035M)	KFR-20G/ (2045M)	KF-25G/J (2535M)	KFR-20G/ (2545M)	KF-35G/J (3535M)	KFR-35G/ (3545M)	
1	Wall-Mounting Frame	壁挂板(取消GREE字样)	01252381	01252381	01252381	01252381	01252381	01252381	1
2	Pipe clamp	卡管板	26112425	26112425	26112425	26112425	26112425	26112425	1
3	Hook	挂板钩	26272421	26272421	26272421	26272421	26272421	26272421	2
4	Rear Case	底壳	22202013	22202013	22202013	22202013	22202013	22202013	1
5	Evaporator Assy	蒸发器部件	01002032	01002032	01002032	01002032	01002046	01002046	1
6	Cross Flow Fan	贯流风叶部件	10352405	10352405	10352405	10352405	10352405	10352405	1
7	Ring of Bearing	轴承胶座	26712015	26712015	26712015	26712015	26712015	26712015	1
8	Fan Bearing	风扇轴承	76512210	76512210	76512210	76512210	76512210	76512210	1
9	Left clamp of motor	电机左卡板	26112428	26112428	26112428	26112428	26112428	26112428	1
10	Drainage Pipe	排水管	05232411	05232411	05232411	05232411	05232411	05232411	1
11	Water Tray	接水盘	20182439	20182439	20182439	20182439	20182439	20182439	1
12	Stepping Motor Gear	导风电机齿轮组	10592001	10592001	10592001	10592001	10592001	10592001	1
13	Swing Assy	扫风部件	10102001	10102001	10102001	10102001	10102001	10102001	1
14	LCD display assy	液晶显示屏组件	22242007	22242007	22242007	22242007	22242007	22242007	1
15	Guide Louver Holder	导风板支撑架	24212429	24212429	24212429	24212429	24212429	24212429	2
16	Front Case Assy	面板体	20002407	20002407	20002407	20002407	20002407	20002407	1
17	Screw Cover	螺钉盖	24252440	24252440	24252440	24252440	24252440	24252440	3
18	Front Panel	面板	20002404	20002404	20002404	20002404	20002404	20002404	1
19	Remote control	遥控器 Y512	30512505	30512505	30512505	30512505	30512505	30512505	1
20	Filter	过滤网	11122443	11122443	11122443	11122443	11122443	11122443	2
21	Filter	净化器滤网	11012422	11012422	11012422	11012422	11012422	11012422	2
22	LCD Paneling	液晶镶板	22432241	22432241	22432241	22432241	22432241	22432241	1
23	Guide Louver	小导风板	10512428	10512428	10512428	10512428	10512428	10512428	1
24	Guide Louver	大导风板	10512427	10512427	10512427	10512427	10512427	10512427	1
25	Stepping Motor MP24GA	步进电机 MP24GA	15212102	15212102	15212102	15212102	15212102	15212102	1
26	Right clamp of motor	电机右卡板	26112429	26112429	26112429	26112429	26112429	26112429	1
27	Bearing holder	轴承座	26152423	26152423	26152423	26152423	26152423	26152423	1
28	Motor	电机 FN8E-PG	15012007	15012007	15012007	15012007	15012007	15012007	1
29	Covering plate	接线盖板	22242411	22242411	22242411	22242411	22242411	22242411	1
30	Switching plate	开关拨动片	26272422	26272422	26272422	26272422	26272422	26272422	1
31	Cover of electric box	电器盒顶盖	20102430	20102430	20102430	20102430	20102430	20102430	1
32	Terminal board	接线板 T4A3A	42011240	42011240	42011240	42011240	42011240	42011240	1
33	Electric box	电器盒	20102429	20102429	20102429	20102429	20102429	20102429	1
34	PCB 5E51D2A TB	控制器 5E51D2A TB	30025299	\	30025299	\	\	\	1
34	PCB 5E52D-2A TB	控制器 5E52D2A TB	\	30025501	\	30025501	\	\	1
34	PCB 5E51F2A TB	控制器 5E51F2A TB	\	\	\	\	30025500	\	1
34	PCB 5E52F-2A TB	控制器 5E52F2A TB	\	\	\	\	\	30025502	1
35	Transformer	电源变压器 SC21C	43110161	43110161	43110161	43110161	43110161	43110161	1
36	Wire clamp A	电线夹(中)	71010103	71010103	71010103	71010103	71010103	71010103	1
37	Rear clamp	后板卡板	26112430	26112430	26112430	26112430	26112430	26112430	1
38	Power cable	电源线	40020202	40020202	40020202	40020202	40020203	40020203	1
39	Interconnecting cable	电源连接线	40020402	40020402	40020402	40020402	40020403	40020403	1
40	Signal cable	信号控制线	\	40032107	\	40032107	\	40032107	1
41	room sensor	室温感温包	39000155	39000155	39000155	39000155	39000155	39000155	1
42	tube sensor	管温感温包	39000116	39000159	39000116	39000159	39000116	39000159	1

The data are subject to change without notice.

Table 2-10

	Description	Part No										Qty		
		KF-45G/J (4535M) LCD	KF-45G/ (3535M)N	KFR-45G/J (4545M) LCD	KFR-45G/ (4545M)N	KF-45G/ (4535M) LED	KFR-45G/ (4545M) LED	GSW18- 22L/A(I)	GSW18- 22R/A(I)	GSW18- 22L/A(I)	GSW18- 22R/A(I)			
1	Wall-Mounting Frame	01252381	01252381	01252381	01252381	01252381	01252381	01252381	01252381	01252381	01252381	01252381	01252381	1
2	Pipe clamp	26112425	26112425	26112425	26112425	26112425	26112425	26112425	26112425	26112425	26112425	26112425	26112425	1
3	Hook	26272421	26272421	26272421	26272421	26272421	26272421	26272421	26272421	26272421	26272421	26272421	26272421	2
4	Rear Case	22202013	22202013	22202013	22202013	22202013	22202013	22202013	22202013	22202013	22202013	22202013	22202013	1
5	Evaporator Assy	01002017	01002017	01002017	01002017	01002017	01002017	01002017	01002017	01002017	01002017	01002017	01002017	1
6	Cross Flow Fan	10352405	10352405	10352405	10352405	10352405	10352405	10352405	10352405	10352405	10352405	10352405	10352405	1
7	Ring of Bearing	26712015	26712015	26712015	26712015	26712015	26712015	26712015	26712015	26712015	26712015	26712015	26712015	1
8	Fan Bearing	76512210	76512210	76512210	76512210	76512210	76512210	76512210	76512210	76512210	76512210	76512210	76512210	1
9	Left clamp of motor	26112428	26112428	26112428	26112428	26112428	26112428	26112428	26112428	26112428	26112428	26112428	26112428	1
10	Drainage Pipe	05232411	05232411	05232411	05232411	05232411	05232411	05232411	05232411	05232411	05232411	05232411	05232411	1
11	Water Tray	20182439	20182439	20182439	20182439	20182439	20182439	20182439	20182439	20182439	20182439	20182439	20182439	1
12	Stepping Motor Gear	10592001	10592001	10592001	10592001	10592001	10592001	10592001	10592001	10592001	10592001	10592001	10592001	1
13	Swing Assy	10102001	10102001	10102001	10102001	10102001	10102001	10102001	10102001	10102001	10102001	10102001	10102001	1
14	LCD display assy	22242007	22242007	22242007	22242007	22242007	22242007	22242007	22242007	22242007	22242007	22242007	22242007	1
15	Guide Louver Holder	24212429	24212429	24212429	24212429	24212429	24212429	24212429	24212429	24212429	24212429	24212429	24212429	2
16	Front Case Assy	20002407	20002407	20002407	20002407	20002407	20002407	20002407	20002407	20002407	20002407	20002407	20002407	1
17	Screw Cover	24252440	24252440	24252440	24252440	24252440	24252440	24252440	24252440	24252440	24252440	24252440	24252440	3
18	Front Panel	20002404	20002404	20002404	20002404	20002404	20002404	20002404	20002404	20002404	20002404	20002404	20002404	1
19	Remote control	30512505	30512505	30512505	30512505	30512505	30512505	30512505	30512505	30512505	30512505	30512505	30512505	1
20	Filter	11222443	11222443	11222443	11222443	11222443	11222443	11222443	11222443	11222443	11222443	11222443	11222443	2
21	Filter	11012422	11012422	11012422	11012422	11012422	11012422	11012422	11012422	11012422	11012422	11012422	11012422	2
22	LCD Paneling	22432439	22432439	22432439	22432439	22432439	22432439	22432439	22432439	22432439	22432439	22432439	22432439	1
23	Guide Louver	10512428	10512428	10512428	10512428	10512428	10512428	10512428	10512428	10512428	10512428	10512428	10512428	1
24	Guide Louver	10512427	10512427	10512427	10512427	10512427	10512427	10512427	10512427	10512427	10512427	10512427	10512427	1
25	Stepping Motor MP24GA	15212102	15212102	15212102	15212102	15212102	15212102	15212102	15212102	15212102	15212102	15212102	15212102	1
26	Right clamp of motor	26112429	26112429	26112429	26112429	26112429	26112429	26112429	26112429	26112429	26112429	26112429	26112429	1
27	Bearing holder	26152423	26152423	26152423	26152423	26152423	26152423	26152423	26152423	26152423	26152423	26152423	26152423	1
28	Motor FN20G-PG	15012022	15012022	15012022	15012022	15012022	15012022	15012022	15012022	15012022	15012022	15012022	15012022	1
	Motor FN20H-PG	\	\	\	\	\	\	\	\	\	\	\	\	1
29	Covering plate	22242411	22242411	22242411	22242411	22242411	22242411	22242411	22242411	22242411	22242411	22242411	22242411	1
30	Switching plate	26272422	26272422	26272422	26272422	26272422	26272422	26272422	26272422	26272422	26272422	26272422	26272422	1
31	Cover of electric box	20102430	20102430	20102430	20102430	20102430	20102430	20102430	20102430	20102430	20102430	20102430	20102430	1
32	Terminal board T4B3A	42011233	42011233	42011233	42011233	42011233	42011233	42011233	42011233	42011233	42011233	42011233	42011233	1
33	Terminal board GT4B3A1	\	\	\	\	\	\	\	\	\	\	\	\	1
32	Terminal board GT4B3A1	20102429	20102429	20102429	20102429	20102429	20102429	20102429	20102429	20102429	20102429	20102429	20102429	1
33	Electric box	20102429	20102429	20102429	20102429	20102429	20102429	20102429	20102429	20102429	20102429	20102429	20102429	1

The data are subject to change without notice.

Table 2-11

No.	Description	Part No										Qty	
		KF-45G/J (4535W) LCD	KFR-45G/J (4545M) LCD	KF-45G/ (3535M)N	KFR-45G/ (4545M)N	KF-45G/ (4535M) LED	KFR-45G/ (4545M) LED	GSW18- 22L/A(I)	GSW18- 22R/A(I)				
34	PCB 5151E2A TB	30025215	\	\	\	\	\	\	\	\	\	\	1
34	PCB 5152E12A TB	\	30025222	\	\	\	\	\	\	\	\	\	1
34	PCB 5151E2A1 TB	\	\	30025517	\	\	\	\	\	\	\	\	1
34	PCB 5152E12A1 TB	\	\	\	30025518	\	\	\	\	\	\	\	1
34	PCB 5E51E2A	\	\	\	\	30025004	\	\	\	\	\	\	1
34	PCB 5E52E12A	\	\	\	\	\	30025006	\	\	\	\	\	1
34	PCB 5E51E1A TB	\	\	\	\	\	\	\	30025279	\	\	\	1
34	PCB 5E53E11A TB	\	\	\	\	\	\	\	\	\	\	30025287	1
35	Transformer SC21C(130°C)	43110161	43110161	43110161	43110161	43110161	43110161	43110161	\	\	\	\	1
35	Transformer SC28C1	\	\	\	\	\	\	\	\	\	43110172	43110172	1
36	Wire clamp A	71010103	71010103	71010103	71010103	71010103	71010103	71010103	71010103	71010103	71010103	71010103	1
37	Rear clamp	26112430	26112430	26112430	26112430	26112430	26112430	26112430	26112430	26112430	26112430	26112430	1
38	Power cable	40020389	40020389	40020389	40020389	40020389	40020389	40020389	40020389	40020389	40020273	40020273	1
39	Interconnecting cable	40020427	40020427	40020427	40020427	40020427	40020427	40020427	40020427	40020427	40020324	40020324	1
40	Signal cable	\	40032107	\	40032107	\	40032107	\	40032107	\	40032119	40032119	1
41	room sensor	39000155	39000155	39000155	39000155	39000155	39000155	39000155	39000155	39000155	39000155	39000155	1
42	tube sensor	39000116	39000159	39000116	39000159	39000116	39000159	39000116	39000159	39000116	39000159	39000159	1

The data are subject to change without notice.

GREE2000 Series

Table 2-12

No.	Description		Part No.				Qty
			KT3F-45G/JI-12205	KT3FR-45G/JI-12205	KT3F-45G/JI	KT3FR-45G/JI	
1	Wall-Mounting Frame	壁挂板(取消GREE字样)	01252381	01252381	01252381	01252381	1
2	Pipe clamp	卡管板	26112425	26112425	26112425	26112425	1
3	Hook	挂板钩	26272421	26272421	26272421	26272421	2
4	Rear Case	底壳	22202013	22202013	22202013	22202013	1
5	Evaporator Assy	蒸发器部件	01002017	01002017	01002017	01002017	1
6	Cross Flow Fan	贯流风叶部件	10352405	10352405	10352405	10352405	1
7	Ring of Bearing	轴承胶座	26712015	26712015	26712015	26712015	1
8	Fan Bearing	风扇轴承	76512210	76512210	76512210	76512210	1
9	Left clamp of motor	电机左卡板	26112428	26112428	26112428	26112428	1
10	Drainage Pipe	排水管	05232411	05232411	05232411	05232411	1
11	Water Tray	接水盘	20182439	20182439	20182439	20182439	1
12	Stepping Motor Gear	导风电机齿轮组	10592001	10592001	10592001	10592001	1
13	Swing Assy	扫风部件	10102001	10102001	10102001	10102001	1
14	LCD display assy	液晶显示屏组件	22242007	22242007	22242007	22242007	1
15	Guide Louver Holder	导风板支撑架	24212429	24212429	24212429	24212429	2
16	Front Case Assy	面板体	20002407	20002407	20002407	20002407	1
17	Screw Cover	螺钉盖	24252440	24252440	24252440	24252440	3
18	Front Panel	面板	20002404	20002404	20002404	20002404	1
19	Remote control	遥控器 Y512	30512505	30512505	30512505	30512505	1
20	Filter	过滤网	11122443	11122443	11122443	11122443	2
21	Filter	净化器滤网	11012422	11012422	11012422	11012422	2
22	LCD Paneling	液晶镶板	22432241	22432241	22432241	22432241	1
23	Guide Louver	小导风板	10512428	10512428	10512428	10512428	1
24	Guide Louver	大导风板	10512427	10512427	10512427	10512427	1
25	Stepping Motor MP24GA	步进电机 MP24GA	15212102	15212102	15212102	15212102	1
26	Right clamp of motor	电机右卡板	26112429	26112429	26112429	26112429	1
27	Bearing holder	轴承座	26152423	26152423	26152423	26152423	1
28	Motor FN20H-PG	电机 FN20H-PG	\	\	15012027	15012027	1
28	Motor FN20G-PG	电机 FN20G-PG	15012022	15012022	\	\	1
29	Covering plate	接线盖板	22242411	22242411	22242411	22242411	1
30	Switching plate	开关拨动片	26272422	26272422	26272422	26272422	1
31	Cover of electric box	电器盒顶盖	20102430	20102430	20102430	20102430	1
32	Terminal board GT4B3A1	接线板 GT4B3A1	42011030	42011030	42011030	42011030	1
33	Electric box	电器盒	20102429	20102429	20102429	20102429	1
34	PCB 5151E1A TB	控制器 5151E1A TB	30025520	\	30025520	\	1
34	PCB 5153E11A TB	控制器 5153E11A TB	\	30025519	\	30025519	1
35	Transformer SC28C1	电源变压器 SC28C1	43110172	43110172	43110172	43110172	1
36	Wire clamp A	电线夹(中)	71010103	71010103	71010103	71010103	1
37	Rear clamp	后板卡板	26112430	26112430	26112430	26112430	1
38	Power cable	电源线	40020274	40020274	40020273	40020273	1
39	Interconnecting cable	电源连接线	40020324	40020324	40020324	40020324	1
40	Signal cable	信号控制线	\	40032119	\	40032119	1
41	room sensor	室温感温包	39000155	39000155	39000155	39000155	1
42	tube sensor	管温感温包	39000116	39000159	39000116	39000159	1

The data are subject to change without notice.

2.8 Explosive view of outdoor unit

2.8.1 For CE Standard model.

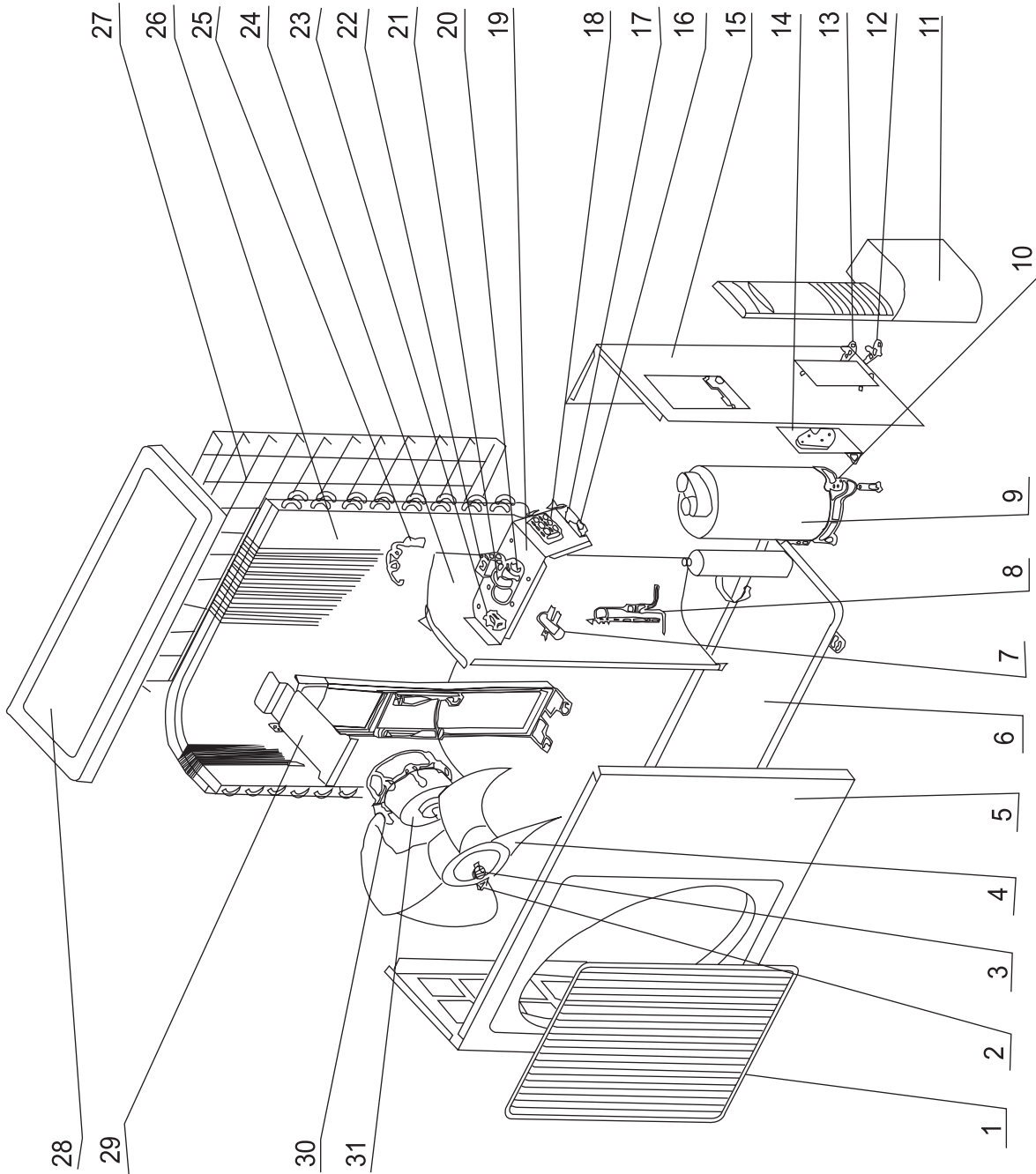


figure 2-10

GREE2000 Series

2.8.2 Spare parts list of outdoor unit (for CE Stanndard)

Table 2-13

No.	Description		Part No.						Qty
			KF- 20W/J	KFR- 20W/J	KF- 25W/J	KFR- 25W/J	KF- 35W/J	KFR- 35W/J	
1	Front Grill	面板格栅	22413431	22413431	22413431	22413431	22413431	22413431	1
2	Nut M6	螺母 M6	70310131	70310131	70310131	70310131	70310131	70310131	1
3	Washer 6	垫片 6	70410252	70410252	70410252	70410252	70410252	70410252	1
4	Axial Flow Fan	轴流风叶	10333412	10333412	10333412	10333412	10333412	10333412	1
5	Front Plate	面板	01533428	01533428	01533428	01533428	01533428	01533428	1
6	Metal Base	底盘组件	01203004	01203004	01203335	01203324	01213045	01213045	1
7	4-way Valve	四通阀	\	43000301	\	43000312	\	43000312	1
8	Capillary Assy	毛细管组件	03003402	03003002	03003024	03003170	03003423	03003062	1
9	Compressor SG333DB1	压缩机及其配件 SG333DB1	00100121	\	\	\	\	\	1
9	Compressor SG433EB2	压缩机及其配件 SG433EB2	\	00100123	\	\	\	\	1
9	Compressor SG533GA1UA	压缩机及其配件 SG533GA1UA	\	\	00100126	\	\	\	1
9	Compressor RH174VHAC	压缩机及其配件 RH174VHAC	\	\	\	00120078	\	\	1
9	Compressor C-RV222H1AA	压缩机及其配件 C-RV222H1AA	\	\	\	\	00100340	\	1
9	Compressor C-RV232BH1AA	压缩机及其配件 C-RV232BH1AA	\	\	\	\	\	00100339	1
10	Nut with Washer M8	带垫螺母	70310014	70310014	70310014	70310014	70310014	70310014	3
11	Handle	大提手组件	26233021	26233021	26233021	26233021	26233021	26233021	1
12	Valve 3/8"	阀门 3/8"	07100143	07100143	07100143	07100143	\	\	1
12	Valve 1/2"	阀门 1/2"	\	\	\	\	07100142	07100142	1
13	Valve 1/4"	阀门 1/4"	07100115	07100115	07100115	07100115	07100115	07100115	1
14	Valve Support	阀门支架	01713424	01713424	01713424	01713424	01713424	01713424	1
15	Right Side Plate Assy	右侧板组件	01302000	01302000	01302000	01302000	01302000	01302000	1
16	Wire Clamp	电线夹	71010103	71010103	71010103	71010103	71010103	71010103	2
17	Insulation Gasket D	绝缘垫片 D	70410525	70410525	70410525	70410525	70410525	70410525	1
18	Terminal Board T386A	三位接线板	42011241	42011241	42011241	42011241	42011241	42011241	1
19	Electric Plate	电器盒	01413425	01413425	01413425	01413425	01413425	01413425	1
20	Comp Capacitor 30uF/450V	电容 (30uF/450VAC)	33000021	33000021	33000021	\	33000021	33000021	1
20	Comp Capacitor 25uF/450V	电容 (25uF/450VAC)	\	\	\	33000020	\	\	1
21	Capacitor clamp	电容夹	02143401	02143401	02143401	02143401	02143401	02143401	1
22	Fan Capacitor 2.5uF/450V	电容 (2.5uF/450VAC)	33010026	33010026	33010026	33010026	33010026	\	1
22	Fan Capacitor 3uF/450V	电容 (3uF/450VAC)	\	\	\	\	\	33010027	1
23	Terminal Board 2-8	接线板 2-8	\	42011103	\	42011103	\	42011103	1
24	Isolation Sheet Assy	隔板组件	01233417	01233417	01233417	01233417	01233417	01233417	1
25	Tube Sensor	管温感温包	\	39000115	\	39000115	\	39000115	1
26	Condenser Assy	冷凝器组件	01103341	01103202	\	\	\	\	1
26	Condenser Assy	冷凝器组件	\	\	01103341	01103052	\	\	1
26	Condenser Assy	冷凝器组件	\	\	\	\	01103092	01103203	1
27	Rear grill Assy	后护网组件	11123402	11123402	11123402	11123402	11123402	11123402	1
28	Top cover Assy	顶盖组件	01253261	01253261	01253261	01253261	01253261	01253261	1
29	Motor Support	电机支架	01703391	01703391	01703391	01703391	01703391	01703391	1
30	Self-tapping Screw	螺钉	10140165	10140165	10140165	10140165	10140165	10140165	4
31	Motor FW25E	电机(FW30A)	15013101	15013101	15013101	15013101	\	\	1
31	Motor FW30E	电机(FW36A)	\	\	\	\	15013102	15013102	1

The data are subject to change without notice.

GREE2000 Series

Table 2-14

No.	Description	名称及规格	Part No.				Qty
			KF-45W/J	KFR-45W/J	GSW18-22L/A(O)	GSW18-22R/A(O)	
1	Front Grill	面板格栅	22413431	22413431	22413431	22413431	1
2	Nut M6	螺母 M6	70310131	70310131	70310131	70310131	1
3	Washer 6	垫片 6	70410252	70410252	70410252	70410252	1
4	Axial Flow Fan	轴流风叶	10333412	10333412	10333412	10333412	1
5	Front Plate	面板	01533428	01533428	01533428	01533428	1
6	Metal Base	底盘组件	01203338	01203338	01200337	01203338	1
7	4-way Valve	四通阀组件	\	03023055	\	03023033	1
8	Capillary Assy	毛细管组件	03003139	03003138	03003039	03003052	1
9	Compressor PH290X2C-4FT1	压缩机及其配件 PH290X2C-4FT1	00100073	00100073	\	\	1
9	Compressor 2K25S236AHA	压缩机及其配件 2K25S236AHA	\	\	00100205	00100205	1
10	Nut with Washer M8	带垫螺母	70310014	70310014	70310014	70310014	3
11	Handle	大提手组件	26233021	26233021	26233021	26233021	1
12	Valve 1/4"	阀门 1/4"	07100115	07100115	07100115	07100115	1
13	Valve 1/2"	阀门 1/2"	07100142	07100142	07100142	07100142	1
14	Valve Support	阀门支架	01713424	01713424	01713424	01713424	1
15	Right Side Plate Assy	右侧板组件	01302000	01302000	01302000	01302000	1
16	Wire Clamp	电线夹	71010103	71010103	71010103	71010103	2
17	Insulation Gasket C	绝缘垫片	70410525	70411053	70411053	70411053	1
18	Terminal Board A	三位接线板 A	42011113	42011113	42011113	42011113	1
19	Electric Plate	电器盒	01413425	01413425	01413425	01413425	1
20	Comp Capacitor 35uF/450V	压缩机电容 35uF/450V	33000027	33000027	\	\	1
20	Comp Capacitor 40uF/450V	压缩机电容 40uF/450V	\	\	33000023	33000023	1
21	Capacitor clamp	电容夹	02141375	02141375	02141375	02141375	1
22	Fan Capacitor 2.5uF/450V	风机电容 2.5uF/450V	33010026	33010026	33010026	33010026	1
23	Relay G7L-1A-T	继电器 G7L-1A-T	44020311	44020311	44020311	44020311	1
24	Isolation Sheet Assy	隔板组件	01233417	01233417	01233417	01233417	1
25	Tube Sensor	管温感温包	\	39000115	\	39000115	1
26	Condenser Assy	冷凝器组件	01103435	01103118	01103435	01103118	1
27	Rear grill Assy	后护网组件	11123402	11123402	11123402	11123402	1
28	Top cover Assy	顶盖组件	01253261	01253261	01253261	01253261	1
29	Motor Support	电机支架	01703391	01703391	01703391	01703391	1
30	Self-tapping Screw	螺钉	10140165	10140165	10140165	10140165	4
31	Motor FW48A	电机 FW48A	15013036	15013036	\	\	1
31	Motor FW48B	电机 FW48B	\	\	15013305	15013305	1

The data are subject to change without notice.

2.9 Spare parts list of outdoor unit (For R407C and tropical model.)

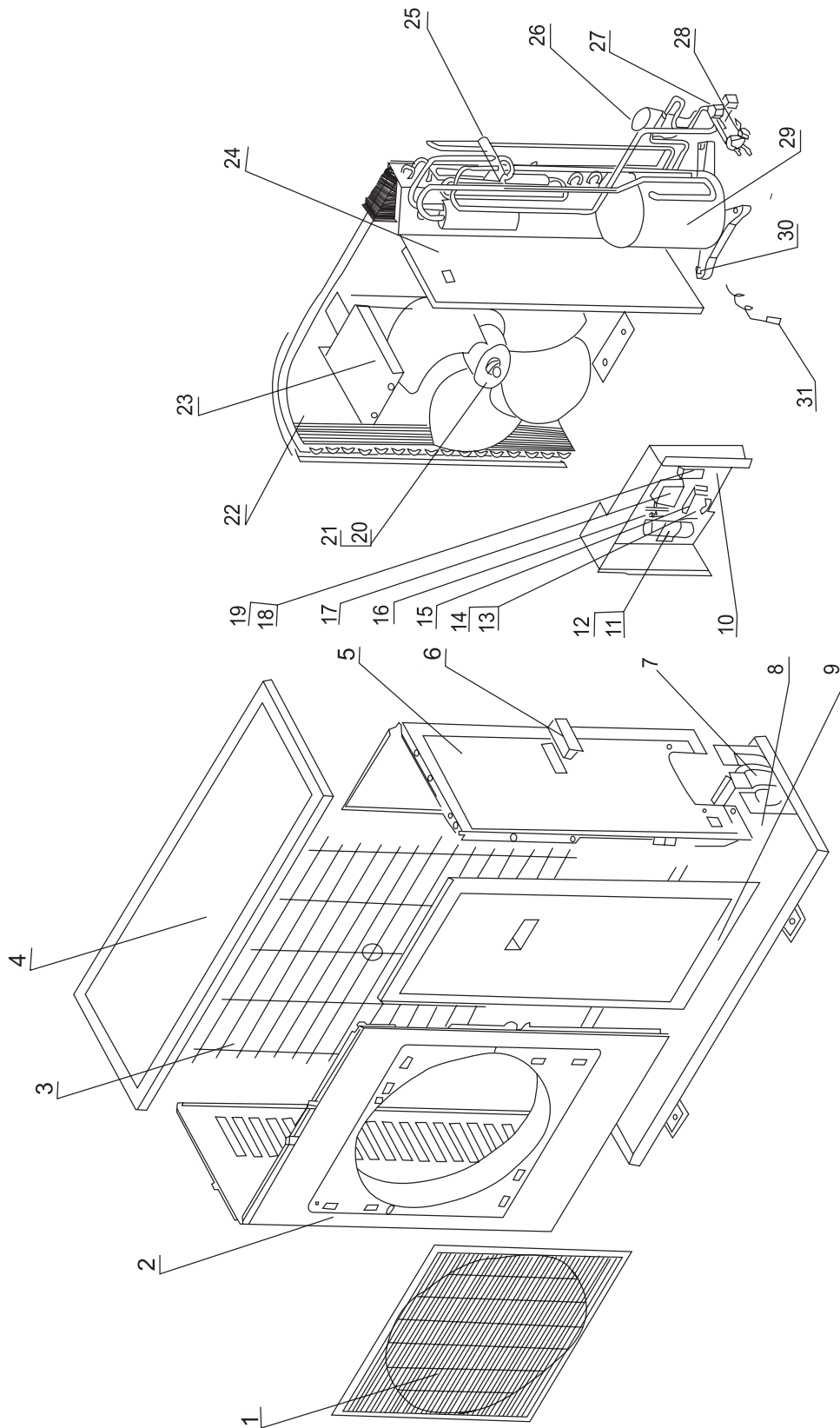


figure 2-11

GREE2000 Series

2.9.2 Spare parts list of outdoor unit (For R407C and tropical model.)

Table 2-15

No.	Description		Part No.						Qty
			KF-45W/JN	KFR-45W/JN	KT3F-45W/J1-12205	KT3FR-45W/J1-12205	KT3F-45W/J1	KT3FR-45W/J1	
1	Front Grill	面罩组件	22265250	22265250	22265250	22265250	22265250	22265250	1
2	Front Plate	外罩	01433025	01433025	01433031	01433031	01433025	01433025	1
3	Rear grill Assy	网罩组件	01473024	01473024	01473024	01473024	01473024	01473024	1
4	Top cover Assy	顶盖组件	01255260	01255260	01255260	01255260	01255260	01255260	1
5	Rear Side Plate	后侧板	01305001	01305001	01305001	01305001	01305001	01305001	1
6	Handle	把手	26235253	26235253	26235253	26235253	26235253	26235253	1
7	Valve Support	阀门支架	01715256	01715256	01715256	01715256	01715256	01715256	1
8	Metal Base	底盘组件	01203065	01203065	01205010	01205010	01205010	01205010	1
9	Front Side Support	前侧板组件	01303019	01303019	01303019	01303019	01303019	01303019	1
10	Electric Plate	电器盒	20102007	20102007	01415011	01415011	01415011	01415011	1
11	Capacitor clamp	电容夹	02143442	02143442	02143441	02143441	02143441	02143441	1
12	Comp Capacitor 30uF	压缩机电容 30uF	33000021	33000021	\	\	\	\	1
12	Comp Capacitor 40uF	压缩机电容 40uF	\	\	33000023	33000023	\	\	1
12	Comp Capacitor 35uF	压缩机电容 35uF	\	\	\	\	33000027	33000027	1
13	Wire Clamp	电线夹	71010102	71010102	71010102	71010102	71010102	71010102	2
14	Insulation Gasket D	绝缘垫片	70410525	70410525	70410525	70410525	70410525	70410525	1
15	Terminal Board	接线板 T3601	\	\	42010245	42010245	42010245	42010245	1
15	Terminal Board	三位接线板	42011113	42011113	\	\	\	\	1
16	Fan Capacitor 3uF	风机电容 3uF	33010027	33010027	\	\	33010027	33010021	1
16	Fan Capacitor 2.5uF	风机电容 2.5uF			33010026	33010026	\	\	1
17	Start Relay 3ARR3CT24S5	启动继电器 3ARR3CT24S5	\	33020201	44020335	44020335	44020335	44020335	1
18	Terminal Board 2-8	接线板 2-8	\	42011103	42011103	42011103	42011103	42011103	1
19	Capacitor 145-174uF/250VAC	电源继电器 (G7L-1A-T)	44020311	44020311	44020311	44020311	44020311	44020311	1
20	Axial Flow Fan	轴流风叶	10335254	10335254	10335257	10335257	10335255	10335255	1
21	Motor FW60F	电机 FW60F	\	\	\	\	15013250	15013250	1
21	Motor LW80D	电机 LW80D	\	\	15015054	15015054	\	\	1
21	Motor FW60F	电机 FW38A	15013032	15013032	\	\	\	\	
22	Condenser Assy	冷凝器组件	01133353	01133354	01103149	01103144	01103142	01103144	1
23	Motor Support	电机支架	01703027	01703027	01703027	01703027	01703027	01703027	1
24	Isolation Sheet Assy	中间隔板组件	01233701	01233701	01233022	01233022	01233022	01233022	1
25	4-way Valve STF-0201	四通阀含电磁线圈 STF-0201	\	\	\	43000313	\	43000313	1
25	4-way Valve V26110B	四通阀含电磁线圈 V26110B	\	43000305	\	\	\	\	1
26	Capillary Assy	毛细管组件	03003008	03003009	03003171	03003172	03003007	03003091	1
27	Valve 1/2"	阀门 1/2"	07100001	07100001	07103008	07103008	07103008	07103008	1
28	Valve 1/4"	阀门 1/4"	07100131	07100131	07100014	07100014	07100014	07100014	1
29	Compressor CI18KQ-PFV-240F	压缩机及配件 CI18KQ-PFV-240F	\	\	\	\	00100345	00100345	1
29	Compressor CI24KQ-PFZ-240CY	压缩机及配件 C124KQ-PFZ-240CY	\	\	00100016	00100016	\	\	1
29	Compressor C-2RN150H5V	压缩机及配件 C-2RN150H5V	00100346	00100346	\	\	\	\	1
30	Nut with Washer M8	带垫螺母 M8	70310014	70310014	70310014	70310014	70310014	70310014	3
31	Tube Sensor	室外感温头 54SLF	\	39000006	\	39000006	\	39000006	1

2.10 Circuit diagram

These circuit diagrams are subject to change.
Please refer to the ones stuck on the machines.

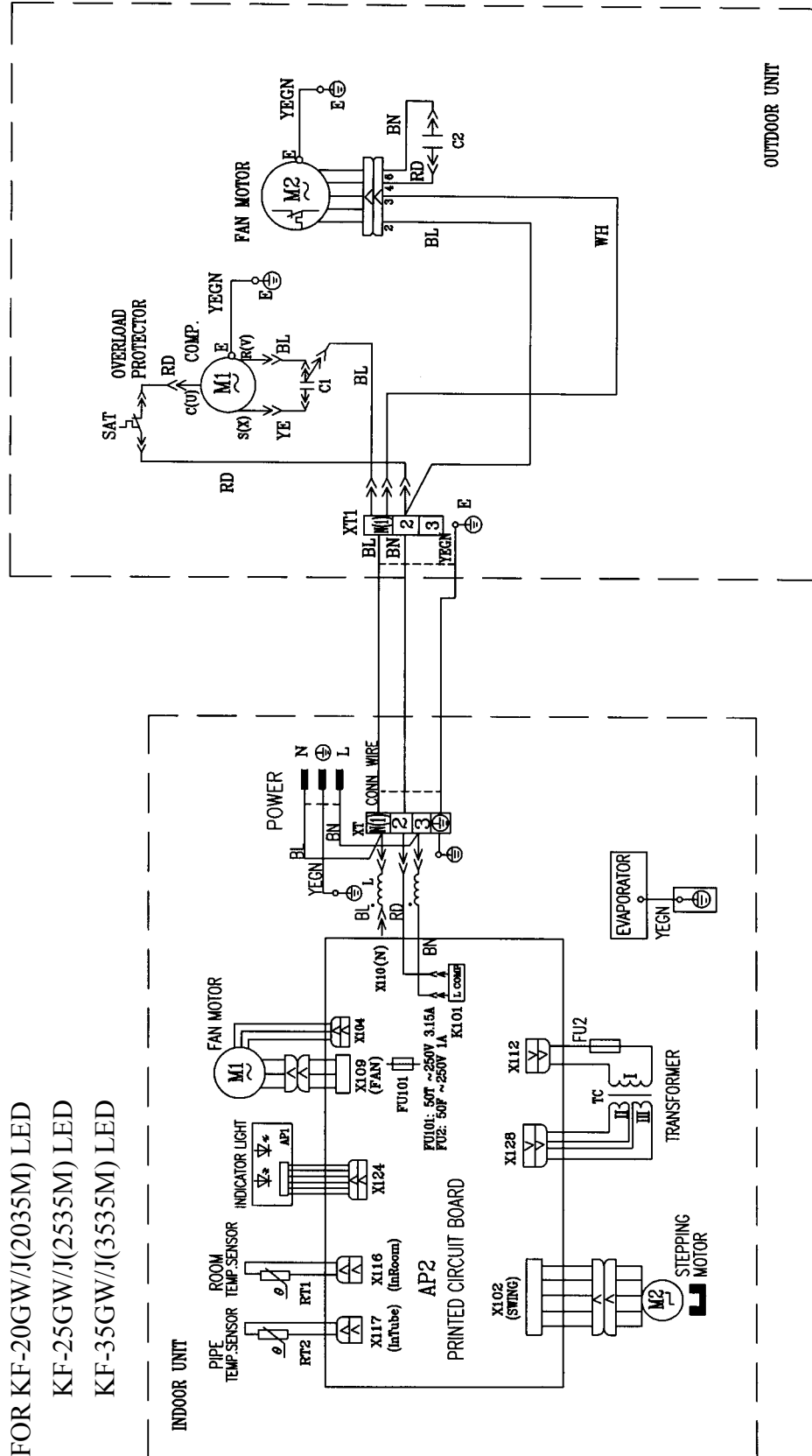


figure 2-12

FOR KF-25GW/J(2545M) LED
 KF-20GW/J(2045M) LED
 KF-35GW/J(3545M) LED

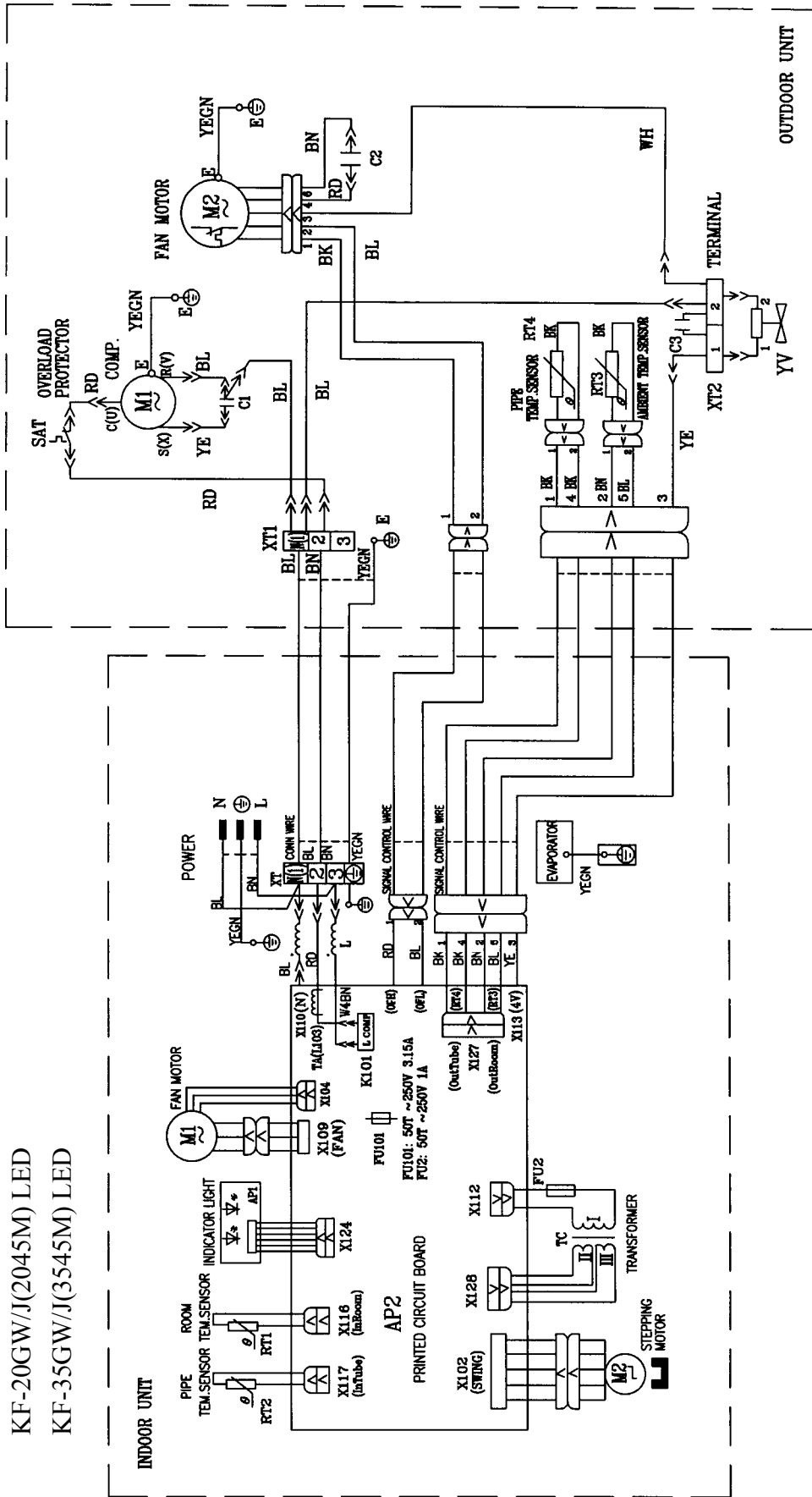


figure 2-13

FOR KF-45GW/J(4535M)LED
GSW18-22L/A

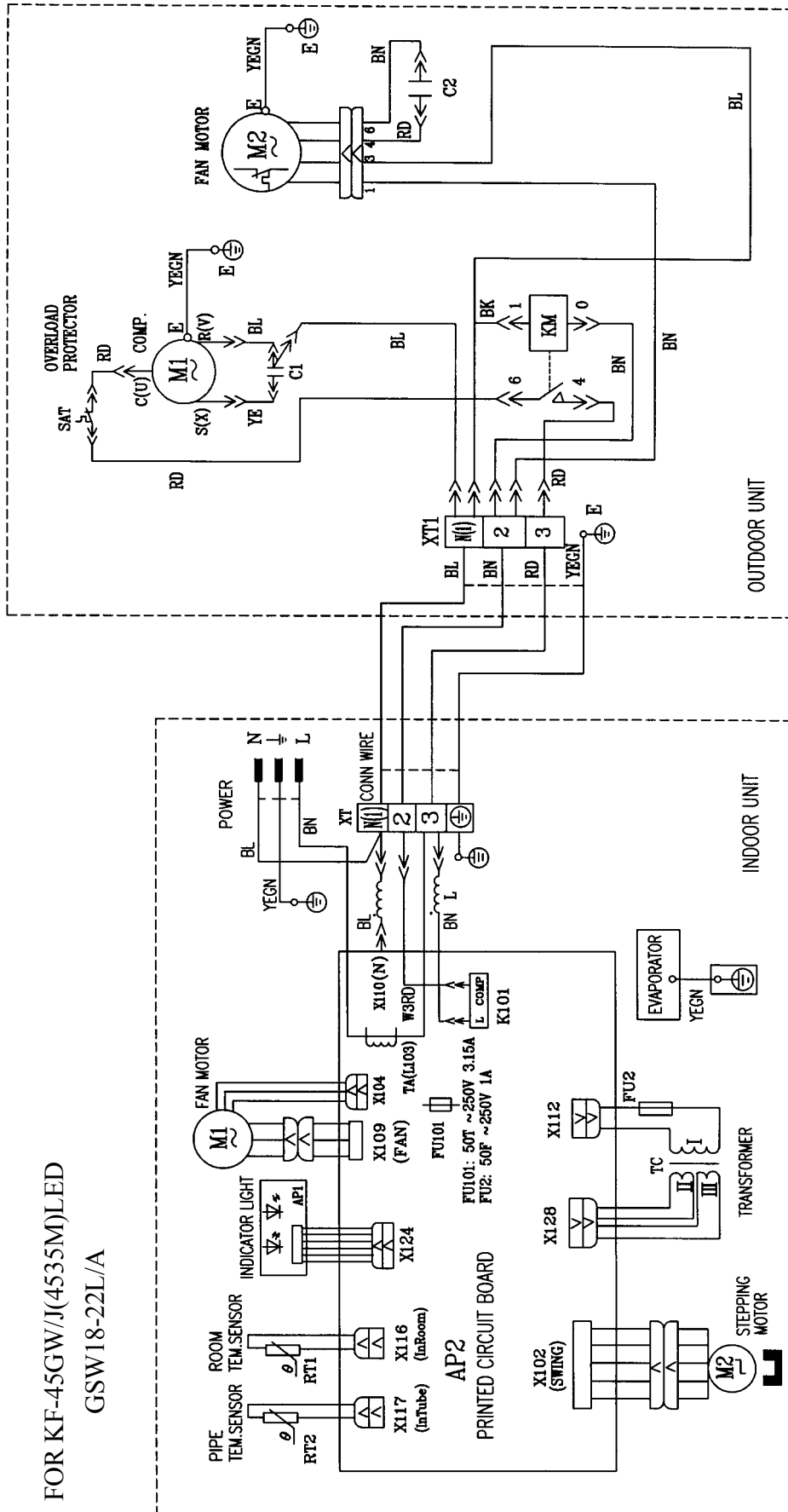
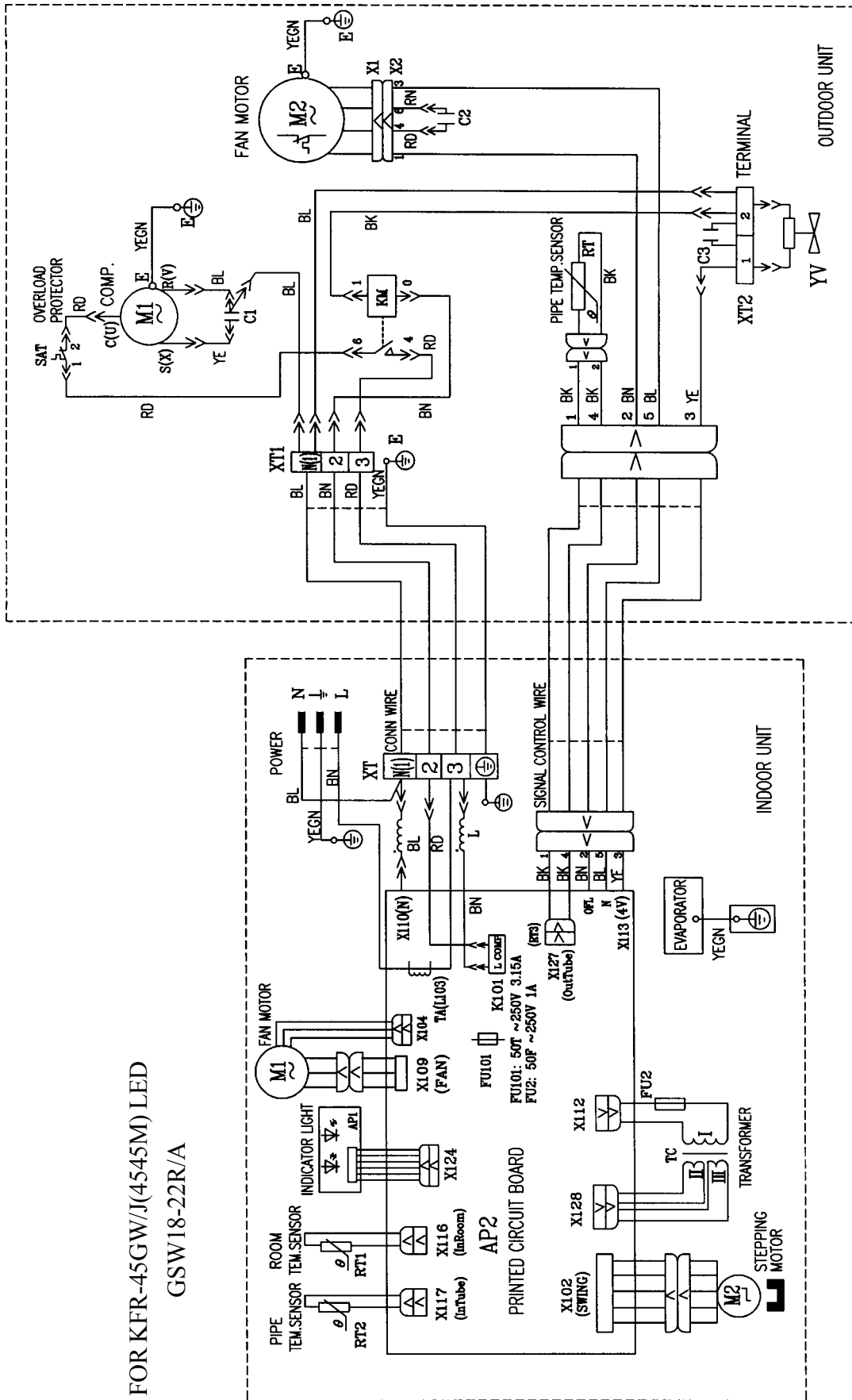


figure 2-14



FOR KFR-45GW/J(4545M) LED
GSW18-22R/A

figure 2-15

FOR KFR-45GW/J(4545M) LCD
KFR-45GW/J(4545)N

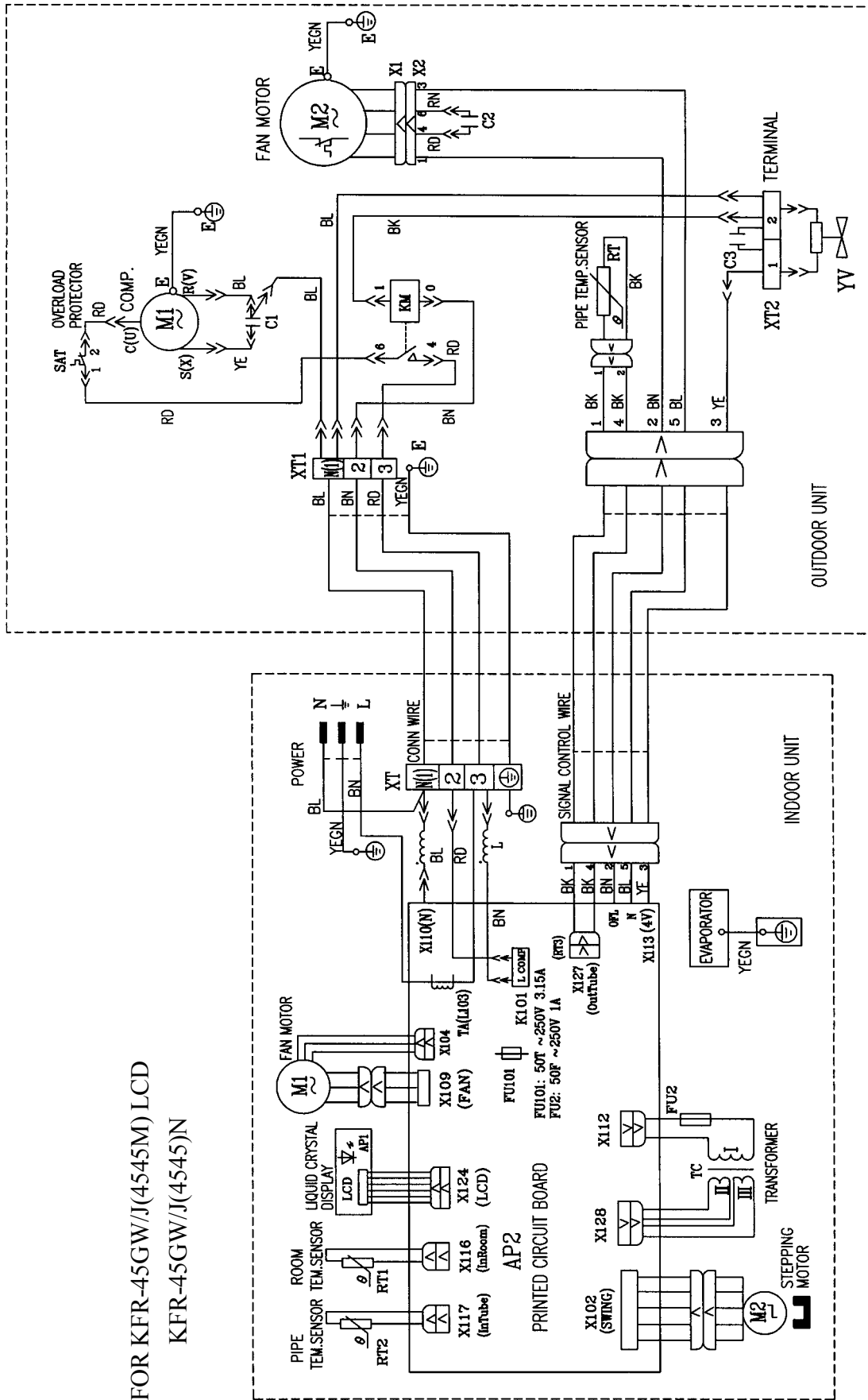


figure 2-16

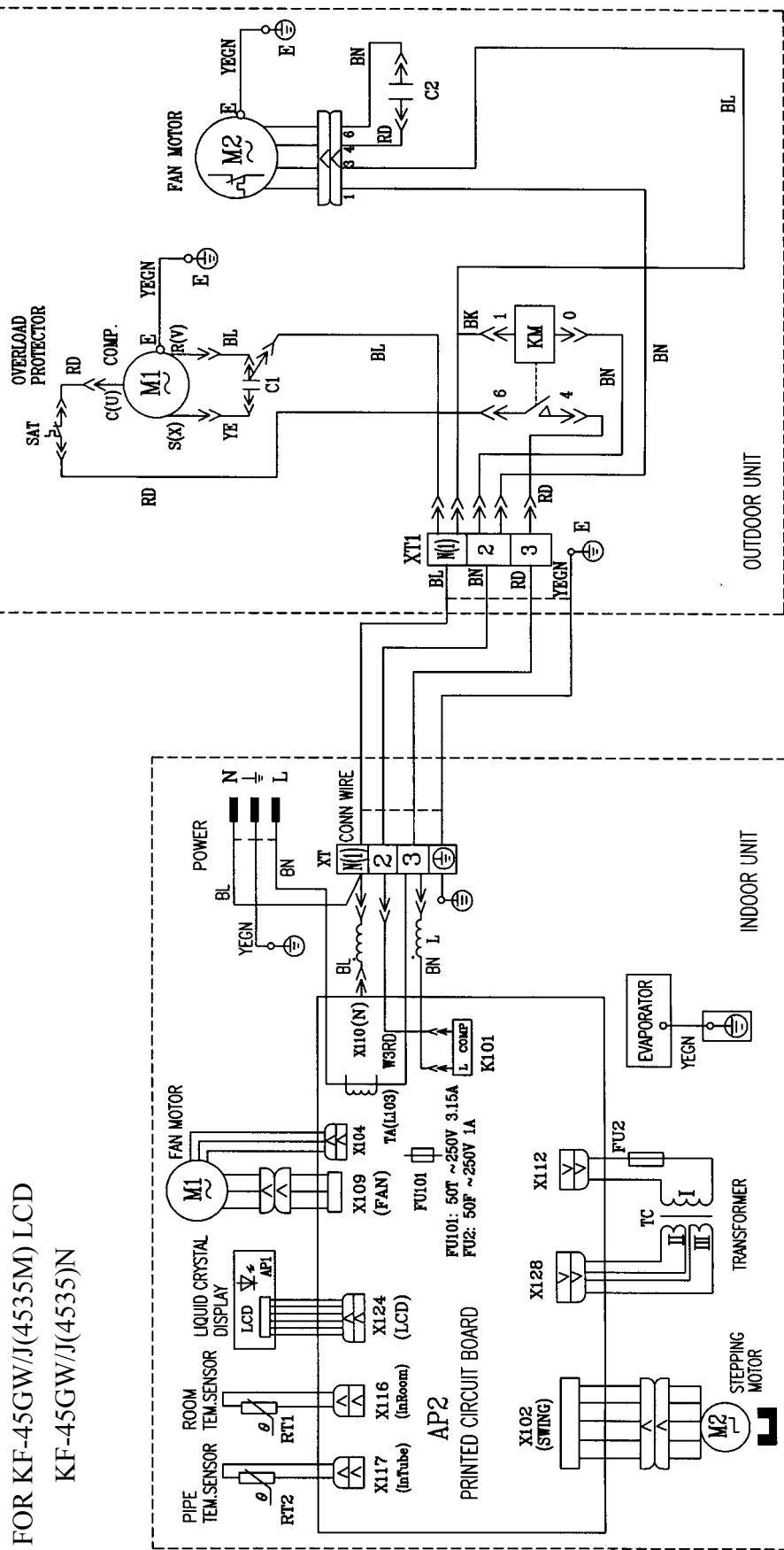
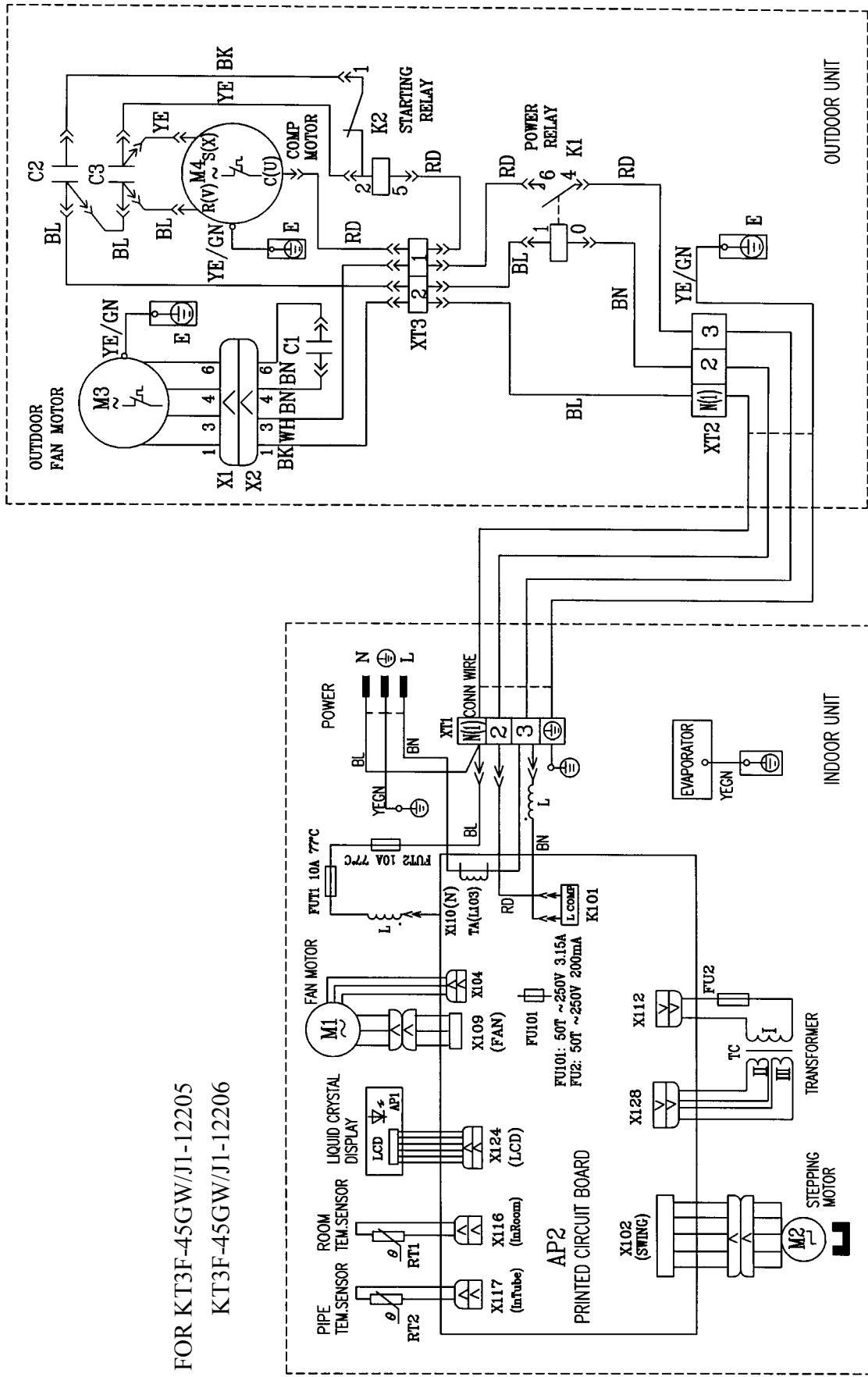


figure 2-17



FOR KT3F-45GW/J1-12205
KT3F-45GW/J1-12206

figure 2-18

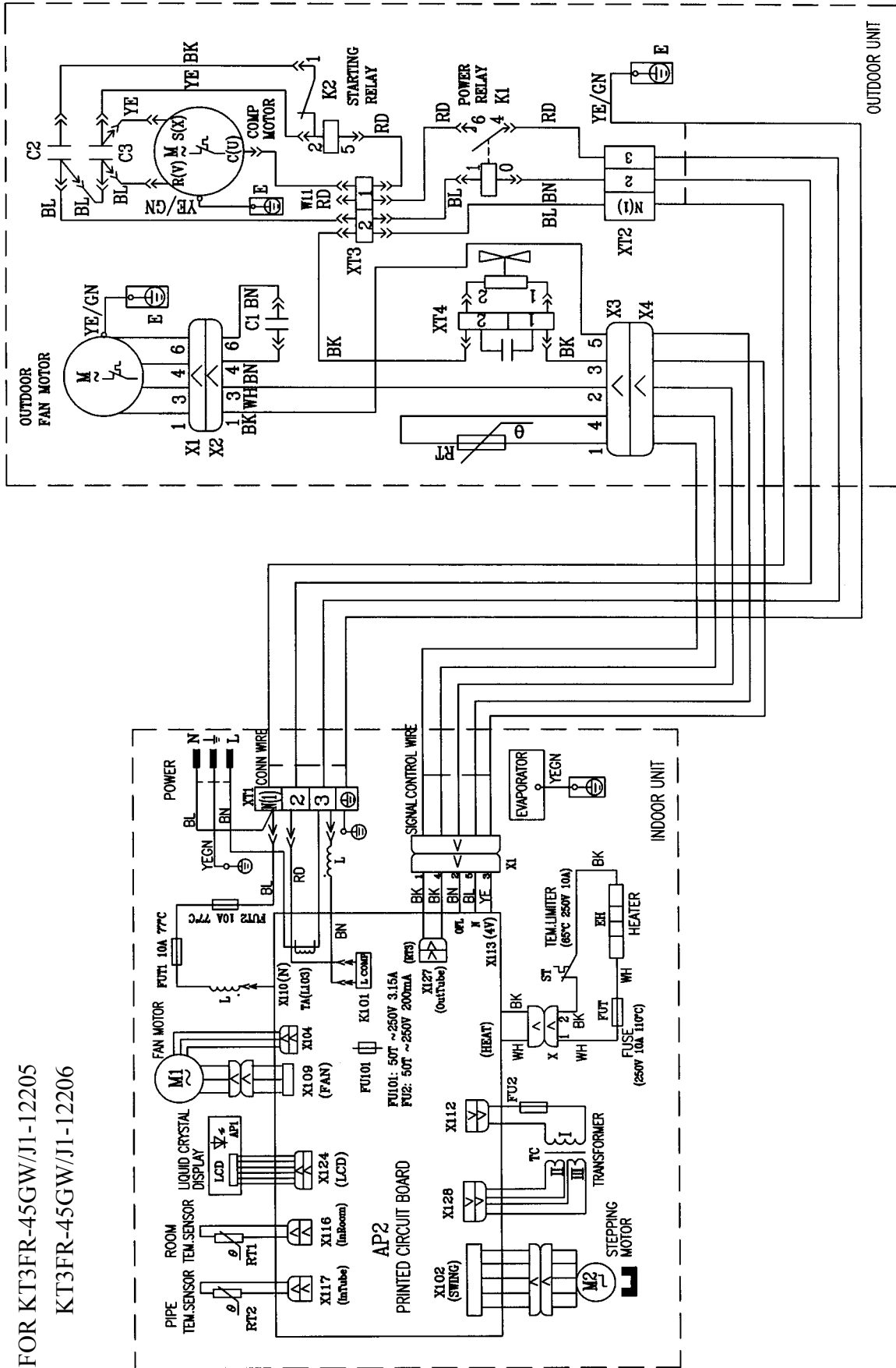


figure 2-19

2.11 PCB function manual

5 IN I PCB function manual.

A. running mode

1. cooling 2. dehumidifying 3. heating 4. fan 5. auto

B. input parameters

1. indoor ambient temp. T_{in}
2. evaporator tube temp. T_{eva}
3. setting temp. T_{set}
4. condenser tube temp. T_{con}
5. outdoor ambient temp. T_{out}

C. targets

1. indoor motor (PG motor)
2. swing motor
3. outdoor motor (two speeds motor)
4. compressor
5. four-way reversing valve
6. electric heater
7. fresh motor
8. air cleaner

D. fundamental functions

1. cooling mode

(1) the running conditions and control measures

- a. if $T_{in} \geq T_{set} + 1^{\circ}\text{C}$, the machine runs at the cooling mode. Compressor runs, outdoor motor runs at low speed, indoor fan runs at the set fan speed.
- b. if $T_{in} \leq T_{set} - 1^{\circ}\text{C}$, the machine stops. Compressor stops first, outdoor motor stops after 15 seconds, indoor motor runs at the set fan speed.
- c. if $T_{set} - 1^{\circ}\text{C} < T_{in} < T_{set} + 1^{\circ}\text{C}$, keep the previous state.

(2) in this mode, the reversing valve is inactive, the temp. setting range is from 16~30°C.

(3) Protect function

a. anti-freezing function.

if compressor have run 6 minutes, and detect $T_{eva} < 0^{\circ}\text{C}$ for continuous 3 minutes, then the compressor, outdoor fan stopped, indoor fan run at the set fan speed. After 3 minutes later, it will run at the original state if $T_{eva} \geq 10^{\circ}\text{C}$.

b. compressor protection

Compressor's starting interval should be more than 3 minutes no matter in whatever modes and conditions. If it's plugged in first time, the compressor does not have 3 minutes delay. When compressor is started, it will not stop within 5 minutes unless it is plugged out.

c. overload protection

If it detect the system current surpass the designed 13 A for continuous 3 minutes, the machine go into fan mode, when 3 minutes passed and it detect the current no more than 13 A, it will back to original state. If it detects overloading states for 3 consecutive times within 30 minutes, the machine stops, and must be restarted by remote controller.

d. locked motor protection

if it detects no feedback from the PG motor for continuous 15 seconds , the machine stops, after 3 minutes delay, the machine backs to original state. If the motor be detected locked for 3 consecutive times, the whole machine stops and can not run again automatically.

2. dehumidifying mode

(1) the working conditions and control measures

a. if $T_{in} > T_{set} + 2^{\circ}\text{C}$, it is in cooling running, the indoor motor speed can be selected ,and outdoor motor run at low speed.

b. If $T_{set} - 2^{\circ}\text{C} \leq T_{in} \leq T_{set} + 2^{\circ}\text{C}$, it goes into dehumidifying running ,the indoor motor run at the low speed, 6 minutes later the compressor stops, another 15 seconds later the outdoor fan stops and another 30 seconds later, the indoor motor stops, 3 and a half minutes later, compressor and outdoor fan run again ,indoor motor runs at the low speed, then the machine cycle the above procedures repeatedly. outdoor motor runs at the low speed.

c. If $T_{in} < T_{set} - 2^{\circ}\text{C}$, compressor ,outdoor motor and indoor motor stop.

(2) in this mode, the reversing valve is inactive , the temp. setting range is 16~30°C.

(3) Anti-freezing protection.

If $T_{indoor} > T_{set} + 2^{\circ}\text{C}$, it goes into cooling running , anti-freezing function is same with cooling mode, but the compressor must stops for 4 minutes. when it goes into dehumidifying mode, compressor runs 6 minutes , if it detects $T_{eva} < 0^{\circ}\text{C}$,compressor and outdoor motor stop, indoor motor runs at low speed ,after 3 minutes delay ,and $T_{eva} \geq 10^{\circ}\text{C}$, it will be back to its original state.

(4) Overload is same as the one in cooling mode.

3. heating mode

(1) the working conditions and control measures

a. If $T_{in} \leq T_{set} + 2^{\circ}\text{C}$, it goes into heating mode, reversing valve, compressor and outdoor motor all work in the same time, indoor fan will run at the same procedures with anti cool air function.

b. If $T_{in} \geq T_{set} + 4^{\circ}\text{C}$, compressor stops first, 15 seconds late, outdoor motor stops ,but reversing valve keeps working, indoor motor run at the procedures of blowing surplus heat.

d. if $T_{set} + 2^{\circ}\text{C} < T_{indoor} < T_{set} + 4^{\circ}\text{C}$, keep the previous running state.

e. If $T_{outdoor} \leq 3^{\circ}\text{C}$, outdoor runs at high speed, if $T_{outdoor} \geq 5^{\circ}\text{C}$, outdoor motor runs at low speed .if $3^{\circ}\text{C} \leq T_{outdoor} \leq 5^{\circ}\text{C}$, keep the previous running state.

(2) in this mode, the temperature setting range is from 16~30°C.

(3) The working conditions of auxiliary electric heater.

In heating mode, when compressor is working, indoor motor runs at high speed and middle speed. If it detects $T_{eva} < 50^{\circ}\text{C}$ for continuous 8 seconds and $T_{indoor} \leq 25^{\circ}\text{C}$, electric heater will work. If compressor stop or indoor motor runs at low speed or $T_{eva} \geq 54^{\circ}\text{C}$ or $T_{indoor} \geq 28^{\circ}\text{C}$ or 10 seconds before defrosting, the electric heater will stop.

(4) protections

a. anti cool air

When the machine starts heating and $T_{eva} \geq 22^{\circ}\text{C}$, indoor motor runs at low speed, and swing motor makes the louver at the horizontal position (in Bird line, it will swing to the maximum air volume position). If $T_{eva} \geq 40^{\circ}\text{C}$ or compressor have run 2 minutes, indoor motor and swing motor will run at the set speed.

b. anti high temp.

In heating mode, if it detects $T_{eva} \geq 56^{\circ}\text{C}$ (58°C can be selected), outdoor motor will stop (in this period it will not detect the defrosting temp.). If $T_{eva} \leq 52^{\circ}\text{C}$, outdoor motor will be back running (it will not detect defrosting temp. in the first 5 seconds).

c. blowing surplus heat

In heating mode, when set temp is reached, comp. stops first, 15 seconds later outdoor fan stops, Indoor motor blows 90 seconds (60 seconds can be selected) at low speed, swing motor makes the louver at the horizontal position (in Bird line, it will swing to the maximum air volume position).

d. Compressor's protection is same with the one in cooling mode.

e. Overload protection

If it detects that the system current surpassed the designed 13 A for continuous 3 seconds, compressor, electric heater and outdoor motor stop, indoor motor runs the same procedures as the blowing surplus heat condition. After 3 minutes and current no more than 13 A, the machine will be back to its original state, indoor motor runs as the anti cool air condition. If it detects overloading state for 3 consecutive times within 30 minutes, the machine stops, and it must be restarted by remote controller.

f. locked motor protection

If it detects no feedback from the PG motor for continuous 15 seconds, compressor, outdoor motor, indoor motor and electric heater will stop, 3 minutes later, the machine will be back to its original state, indoor motor runs as the anti cool air condition. If the motor was locked for 3 consecutive times, the whole machine stops and can not run again automatically.

g. defrosting conditions and procedures

In heating mode, if compressor has run 44 minutes (in its first 6 minutes it will not detect defrosting temp.), and it has detected $T_{con} \leq -4^{\circ}\text{C}$ for continuous 1 minutes, it begins to defrost, electric heater will stop for 10 seconds (even if electric heater is not working), then indoor motor stops, reversing valve becomes inactive in another 2 seconds, another 2 seconds later, outdoor motor stops, when $T_{con} \geq 10^{\circ}\text{C}$ or defrosting lasts for 10 minutes, outdoor motor and reversing valve

becomes active, indoor motor will run as the anti cool air condition, then it cycles again, recalculates the compressor's running time again. (In this period, if any protection works, and after the machine is back to work, it will re-start defrosting state. it will not detect outdoor tube temp when compressor's in its first 6 minutes running)

h. noise lowering protection

When you use RUN/STOP button to switch off the machine, reversing valve will become inactive in 2 minutes.

4. AUTO mode

(1) in AUTO mode, standard cooling $T_{set}=25^{\circ}\text{C}$, standard heating $T_{set}=20^{\circ}\text{C}$

(2) working procedures

a. If $T_{indoor} \geq T_{set} + 1^{\circ}\text{C}$, select cooling mode, from this time, the set temp. is 25°C . If $T_{indoor} \leq T_{set} - 1^{\circ}\text{C}$, compressor and outdoor motor stop, indoor motor runs at the set speed, if $T_{set} - 1^{\circ}\text{C} < T_{indoor} < T_{set} + 1^{\circ}\text{C}$, keep the original state.

b. If $T_{indoor} \leq T_{set} + 2^{\circ}\text{C}$, select heating mode, from this time, the set temp. is 20°C , if $T_{indoor} \geq T_{set} + 4^{\circ}\text{C}$, compressor stops first, outdoor motor stops 15 seconds later, reversing valve is always active, indoor motor runs as the blowing surplus heat condition. If $T_{set} + 2^{\circ}\text{C} < T_{indoor} < T_{set} + 4^{\circ}\text{C}$, keeps the original state.

Cooling & heating AUTO mode: in AUTO mode, when the machine is switched from heating mode to the other modes, reversing valve becomes inactive in 90 seconds.

Cooling only AUTO mode: there is no heating function in this mode.

(3) protections

It is same as the one in cooling or heating mode, there is only one exception, the compressor doesn't have at least 5 minutes protection.

E. other controls

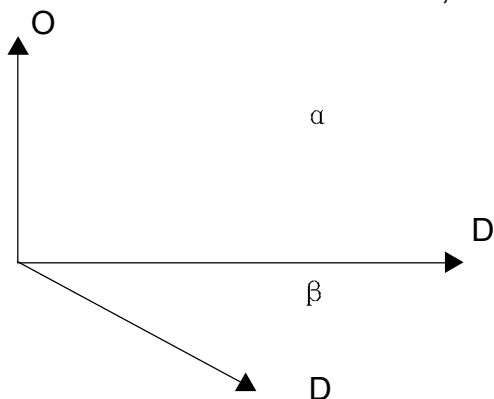
1. SWING mode

a. When it is active, the louver returns to position O, close the air outlet.

b. When machine works, it turns to the max. Air output position D, then returns back to position L to stand by (position L is the horizontal place mentioned before).

c. In swing state, the louver swings between position L and position D.

d. When the machine is switched off, it is back to position O.



GREE2000 Series

In Gree 2000 line and new 24000BTU line , $\alpha =93, \beta =45$

In Bird line, $\alpha =80, \beta =25$

Attention : in Bird line, the louver will stop at position D . in other lines, the louver will stop at position L)

Bird line:

- a. When it is active, the louver returns to position O, close the air outlet.
- b. When machine works, it turns 80 degrees to the max. Air output position D and stands by.
- c. In swing state, the louver swings between position L(25) and position D.
- d. When the machine is switched off, it is back to position O.

2. beeper

- a. When PCB becomes active or receives the signal from the remote controller , the beeper will beep.
- b. If thermostat is open-circuited or short-circuited, when you press the TEST button, the beeper will alarm at the frequency 2HZ.

3. indication lamps

it flashes when defrosting begin.

4. multi-step switch .

- a. If the switch is in AUTO position, the machine will run at the AUTO mode, if there is a signal from remote controller, it will run according to the signal .
- b. If the switch is in TEST position, the machine will run at the COOL mode, indoor motor will run at high speed , swing motor will run according to SWING mode. If there is a signal from remote controller, it will run according to the signal .if the thermostat is open-circuited or short-circuited , the beeper will alarm at the frequency 2 HZ .
- c. If the switch is in RUN position , the machine will run according to the remote signal.
- d. If the switch is in STOP position, the machine will stop.

5. SLEEP mode.

- a. In cooling or dehumidifying mode, 1 hour after you set the sleep timer , T_{set} will add 1°C automatically, another 1 hour, another 1°C will be added.
- b. In heating mode, 1 hour after you set the sleep timer, T_{set} will lower 1°C automatically, another 1 hour, another 1°C will be lowered .

6. Automatic fan speed .

- a. In cooling mode, if $T_{indoor} > T_{set} + 4^{\circ}\text{C}$ high speed
if $T_{set} + 2^{\circ}\text{C} \leq T_{indoor} \leq T_{set} + 4^{\circ}\text{C}$ middle speed
if $T_{indoor} < T_{set} + 2^{\circ}\text{C}$ low speed

- b. In heating mode, if $T_{indoor} \leq T_{set} - 1^{\circ}\text{C}$ high speed

GREE2000 Series

$T_{\text{set}} - 1^{\circ}\text{C} < T_{\text{indoor}} < T_{\text{set}} + 1^{\circ}\text{C}$	middle speed
$T_{\text{indoor}} \geq T_{\text{set}} + 2^{\circ}\text{C}$	low speed

F. Fresh air function.

1. there are two fresh air modes .

a. fresh air 2

fresh air motor will work 1 hour, then rest 1 hour, then cycle again.

b. fresh air 1

press the button AIR on the remote controller to select fresh air 1 function, the swing motor keeps running till you give a signal to change it.

G. air cleaning

In air cleaning mode, air cleaner works while indoor fan runs and air cleaner stops while indoor fan stops.

The speeds of the wind of all types of the air-conditioner are as below:

000: 900, 850, 800, 700 (RPM);

001: 1000, 900, 850, 700 (RPM);

010: 1050, 950, 900, 700 (RPM);

011: 1100, 1000, 950, 700 (RPM);

100: 1200, 1100, 1000, 700 (RPM);

101: 1250, 1100, 1050, 700 (RPM);

111: 1400, 1200, 1100, 700 (RPM);